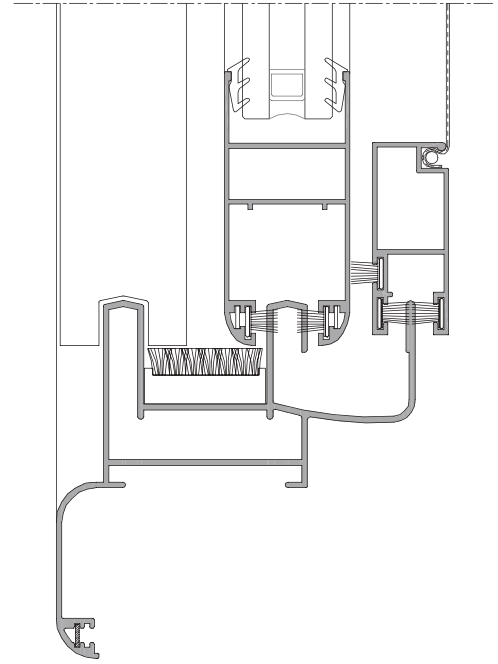




Sürme Sistem  
Sliding System



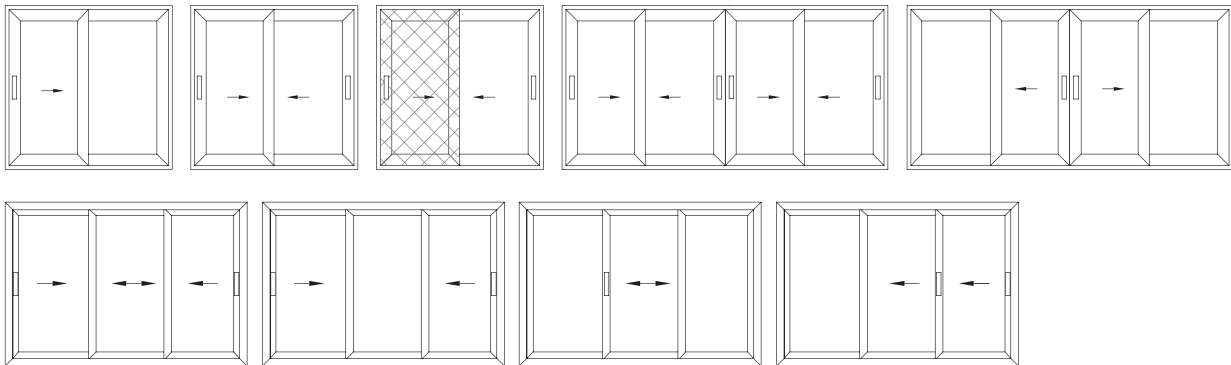
# S28



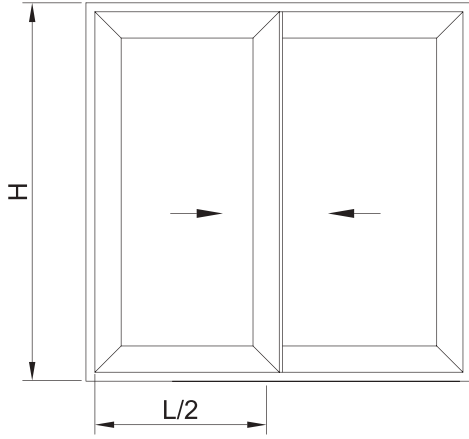
### TEKNİK ÖZELLİKLER / TECHNICAL PROPERTIES

<b>KASA DERİNLİĞİ / FRAME DEPTH</b>	<b>45,5 - 82 mm</b>
<b>KANAT DERİNLİĞİ / SASH DEPTH</b>	<b>28 mm</b>
<b>KENET DERİNLİĞİ / INTERLOCKING DEPTH</b>	<b>64,5 mm</b>
<b>PROFİL ET KALINLIĞI / PROFILE WALL THICKNESS</b>	<b>1,1 - 1,3 mm</b>
<b>MİN. CAM KALINLIĞI / MIN. GLAZING THICKNESS</b>	<b>4 mm</b>
<b>MAKS. CAM KALINLIĞI / MAX. GLAZING THICKNESS</b>	<b>20 mm</b>
<b>MİN. KANAT ÖLÇÜLERİ / MIN. SASH DIMENSIONS</b>	<b>600 x 1000 mm</b>
<b>MAKS. KANAT ÖLÇÜLERİ / MAX. SASH DIMENSIONS</b>	<b>1200 x 2200 mm</b>
<b>MAKS. KANAT AĞIRLIĞI / MAX. SASH WEIGHT</b>	<b>75 kg</b>

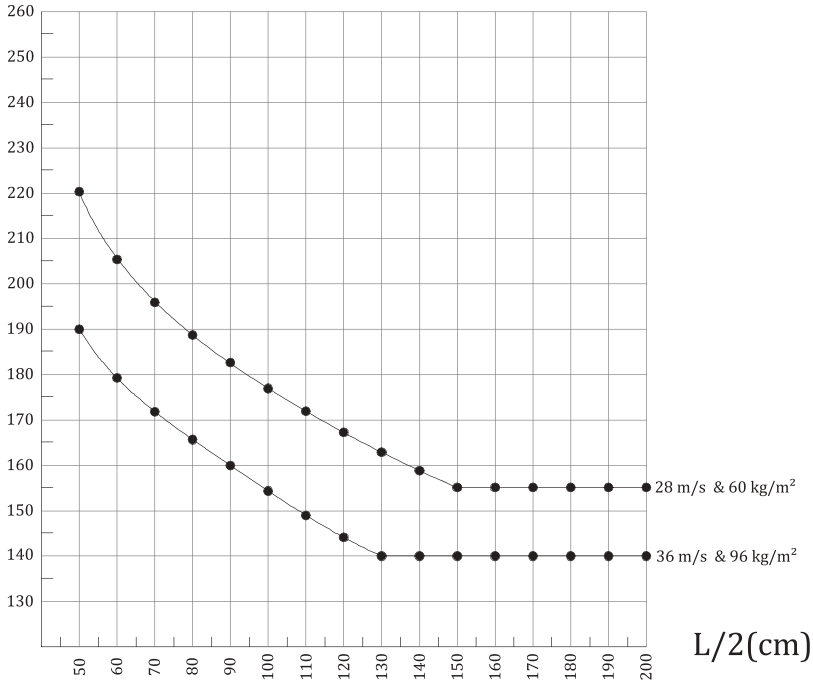
### UYGULAMA SEÇENEKLERİ / APPLICATION OPTIONS



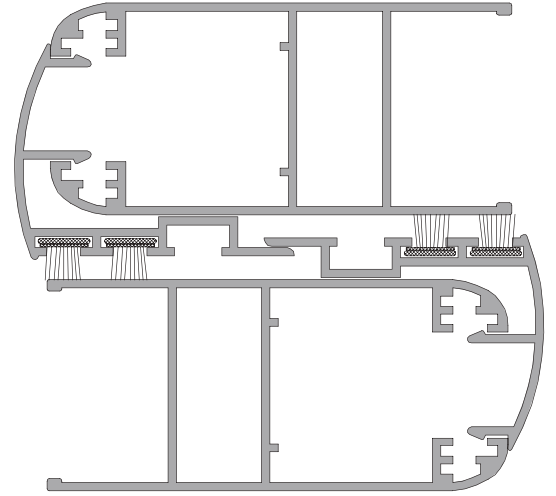
## RÜZGAR YÜKÜNE GÖRE KULLANIM LİMİTLERİ GRAFIĞI

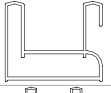
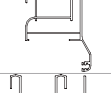
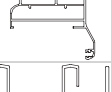
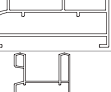
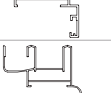
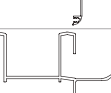
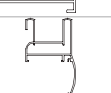
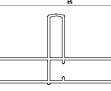
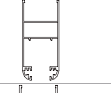
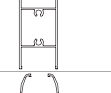
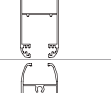
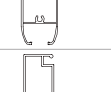
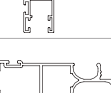


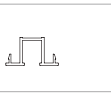

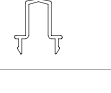

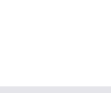
Max. Sehim :  $L / 300$ 

H(cm)



L/2(cm)

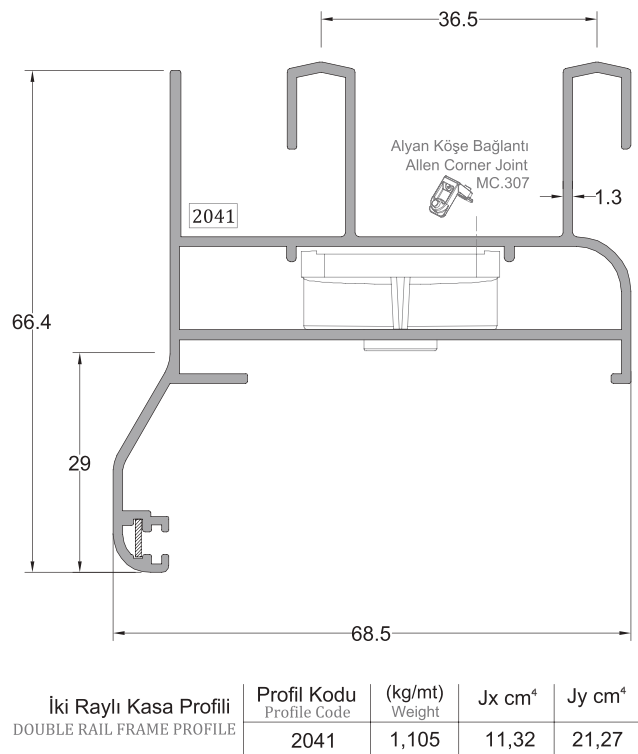
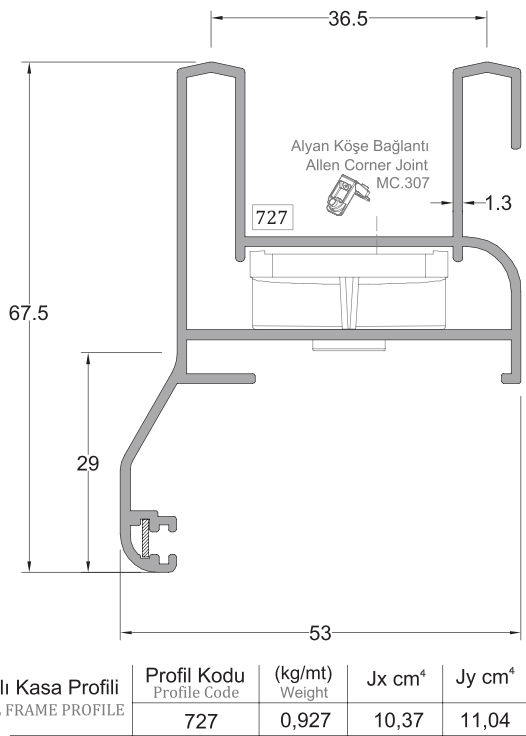
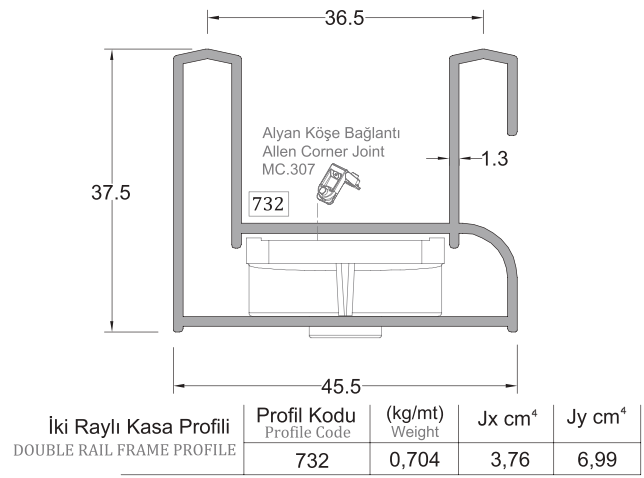
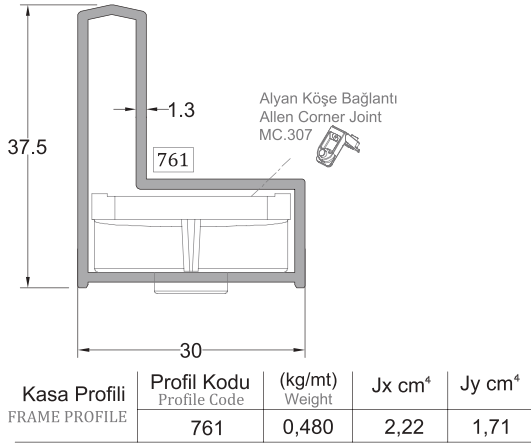
Jx : 7,76 cm<sup>4</sup>

PROFİL KESİTİ PROFILE SECTION	PROFİL KODU PROFILE CODE	PROFİL ADI PROFILE NAME	Jx cm <sup>4</sup>	Jy cm <sup>4</sup>	AĞIRLIK (kg/m) WEIGHT
	732	İKİ RAYLI KASA PROFİLİ DOUBLE RAIL FRAME PROFILE	3,76 cm <sup>4</sup>	6,99 cm <sup>4</sup>	0,704 kg/mt
	727	İKİ RAYLI KASA PROFİLİ DOUBLE RAIL FRAME PROFILE	10,37 cm <sup>4</sup>	11,04 cm <sup>4</sup>	0,927 kg/mt
	2041	İKİ RAYLI KASA PROFİLİ DOUBLE RAIL FRAME PROFILE	11,32 cm <sup>4</sup>	21,27 cm <sup>4</sup>	1,105 kg/mt
	2051	İKİ RAYLI KASA PROFİLİ DOUBLE RAIL FRAME PROFILE	5,78 cm <sup>4</sup>	15,91 cm <sup>4</sup>	0,946 kg/mt
	2711	İKİ RAYLI KASA PROFİLİ DOUBLE RAIL FRAME PROFILE	10,85 cm <sup>4</sup>	12,60 cm <sup>4</sup>	1,009 kg/mt
	12210	İKİ RAYLI KASA PROFİLİ DOUBLE RAIL FRAME PROFILE	17,75 cm <sup>4</sup>	27,56 cm <sup>4</sup>	1,176 kg/mt
	2940	İKİ RAYLI KASA PROFİLİ DOUBLE RAIL FRAME PROFILE	10,85 cm <sup>4</sup>	12,60 cm <sup>4</sup>	0,936 kg/mt
	6236	İKİ RAYLI KASA PROFİLİ DOUBLE RAIL FRAME PROFILE	10,85 cm <sup>4</sup>	12,60 cm <sup>4</sup>	0,966 kg/mt
	11823	ÜÇ RAYLI KASA PROFİLİ TRIPLE RAIL FRAME PROFILE	6,18 cm <sup>4</sup>	31,71 cm <sup>4</sup>	1,209 kg/mt
	730	KANAT PROFİLİ SASH PROFILE	7,34 cm <sup>4</sup>	3,13 cm <sup>4</sup>	0,644 kg/mt
	754	KANAT PROFİLİ SASH PROFILE	6,41 cm <sup>4</sup>	3,03 cm <sup>4</sup>	0,664 kg/mt
	757	KANAT PROFİLİ SASH PROFILE	8,38 cm <sup>4</sup>	3,25 cm <sup>4</sup>	0,703 kg/mt
	753	KANAT PROFİLİ SASH PROFILE	7,73 cm <sup>4</sup>	2,89 cm <sup>4</sup>	0,707 kg/mt
	1243	SİNEKLİK PROFİLİ SCREENING PROFILE	-	-	0,434 kg/mt
	12339	SİNEKLİK PROFİLİ SCREENING PROFILE	-	-	0,703 kg/mt
	3594	TAKVİYE PROFİLİ REINFORCE PROFILE	-	-	0,456 kg/m
	3595	TAKVİYE KAPAK PROFİLİ REINFORCE COVER PROFILE	-	-	0,101 kg/m
	775	TEK CAM ADAPTÖR PROFİLİ SINGLE GLAZING ADAPTER PROFILE	-	-	0,229 kg/mt
	731	KENET PROFİLİ INTERLOCKING PROFILE	-	-	0,291 kg/mt
	756	ADAPTÖR PROFİLİ ADAPTER PROFILE	-	-	0,150 kg/mt

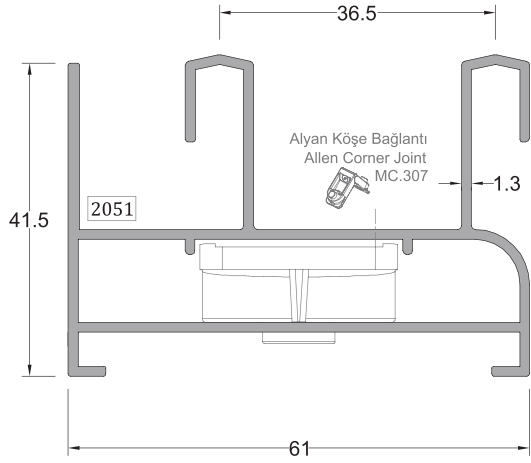
AKSESUAR ACCESSORY	STOK KODU REFERENCE CODE	AKSESUAR ADI DESCRIPTION	AKSESUAR KODU PRODUCT CODE	PAKET PACK
	03 011230	İÇ CAM FİTİLİ INNER GLAZING GASKET	S28-İCF.30	280 mt / paket 10 kg/mt
	03 011231	İÇ CAM FİTİLİ INNER GLAZING GASKET	S28-İCF.40	220 mt / paket 10 kg/mt
	03 010732	İÇ CAM FİTİLİ INNER GLAZING GASKET	S28-İCF.50	185 mt / paket 10 kg/mt
	01 110208	ALT HAVA KESİCİ BOTTOM AIR BLOCKER	S28-AHK.208	100 ad / paket
	01 050294	ÜST HAVA KESİCİ TOP AIR BLOCKER	S28-ÜHK.294	1 ad / paket
	01 110222	ORTA KAYIT BAĞLANTI MULLION CONNECTION	S28-OKB.222	100 ad / paket
	01 110207	KENET KAPAK INTERLOCKING COVER	S28-YK.207	100 ad / paket
	01 110209	KANAT STOPER SASH STOPPER	S28-SP.209	100 ad / paket
	01 130332	KASA STOPER FRAME STOPPER	S28-SP.332	100 ad / paket
	01 071012	SÜRME PARİZYEN KOL SLIDING HANDLE (PARISIANA)	S28-PK.12	1 ad / paket
	01 050351	SÜRME KOL SLIDING HANDLE	S28-SK.351	1 ad / paket
	01 050352	SÜRME ÇEKME KOL SLIDING HANDLE	S28-SK.352	1 ad / paket
	01 050350	SÜRME BORU KOL SLIDING HANDLE	S28-SK.350	1 ad / paket
	01 130318	KÖŞE GÖNYE CORNER BRACKET	S28-KG.318	1000 ad / paket

AKSESUAR ACCESSORY	STOK KODU REFERENCE CODE	AKSESUAR ADI DESCRIPTION	AKSESUAR KODU PRODUCT CODE	PAKET PACK
	01 050750	FORZA YAYLI HAVUZ KOL (SİYAH) FORZA RECESSED HANDLE AUTOMATIC (BLACK)	S28-FHK.750	1 pk / 40ad
	01 050751	FORZA YAYLI HAVUZ KOL (BEYAZ) FORZA RECESSED HANDLE AUTOMATIC (WHITE)	S28-FHK.751	1 pk / 40ad
	01 050752	FORZA YAYLI HAVUZ KOL (NATUREL) FORZA RECESSED HANDLE AUTOMATIC (NATURAL)	S28-FHK.752	1 pk / 40ad
	01 050753	FORZA YAYLI HAVUZ KOL (ANTRASİT) FORZA RECESSED HANDLE AUTOMATIC (ANTHRACITE)	S28-FHK.753	1 pk / 40ad
	01 050760	FORZA MANUEL HAVUZ KOL (SİYAH) FORZA RECESSED HANDLE MANUEL (BLACK)	S28-FHK.760	1 pk / 40ad
	01 050761	FORZA MANUEL HAVUZ KOL(BEYAZ) FORZA RECESSED HANDLE MANUEL (WHITE)	S28-FHK.761	1 pk / 40ad
	01 050762	FORZA MANUEL HAVUZ KOL (NATUREL) FORZA RECESSED HANDLE MANUEL (NATURAL)	S28-FHK.762	1 pk / 40ad
	01 050763	FORZA MANUEL HAVUZ KOL (ANTRASİT) FORZA RECESSED HANDLE MANUEL (ANTHRACITE)	S28-FHK.763	1 pk / 40ad
	01 050770	FORZA ANAHTARLI HAVUZ KOL (SİYAH) FORZA RECESSED HANDLE LOCK WITH KEY (BLACK)	S28-FHK.770	1 pk / 40ad
	01 050771	FORZA ANAHTARLI HAVUZ KOL (BEYAZ) FORZA RECESSED HANDLE LOCK WITH KEY (WHITE)	S28-FHK.771	1 pk / 40ad
	01 050772	FORZA ANAHTARLI HAVUZ KOL (NATUREL) FORZA RECESSED HANDLE LOCK WITH KEY (NATURAL)	S28-FHK.772	1 pk / 40ad
	01 050773	FORZA ANAHTARLI HAVUZ KOL (ANTRASİT) FORZA RECESSED HANDLE LOCK WITH KEY (ANTHRACITE)	S28-FHK.773	1 pk / 40ad
	01 050790	FORZA PASİF HAVUZ KOL (SİYAH) FORZA RECESSED FINGER PULL HANDLE (BLACK)	S28-FHK.790	1 pk / 40 ad
	01 050791	FORZA PASİF HAVUZ KOL (BEYAZ) FORZA RECESSED FINGER PULL HANDLE (WHITE)	S28-FHK.791	1 pk / 40 ad
	01 050792	FORZA PASİF HAVUZ KOL (NATUREL) FORZA RECESSED FINGER PULL HANDLE (NATURAL)	S28-FHK.792	1 pk / 40 ad
	01 050793	FORZA PASİF HAVUZ KOL (ANTRASİT) FORZA RECESSED FINGER PULL HANDLE (NATURAL)	S28-FHK.793	1 pk / 40 ad
	01 050781	FORZA KİLİT DİLİ (ZAMAK) FORZA HOOK (ZAMAK)	S28-FKD.781	1 pk / 40 ad
	01 050780	FORZA KİLİT DİLİ (ZAMAK) FORZA HOOK (ZAMAK) Forza yaylı ve manuel havuz kol ile kullanılmaktadır.	S28-FKD.780	1 pk / 40 ad
	01 050782	FORZA KİLİT KARŞILIĞI (ZAMAK) FORZA STRIKER (ZAMAK)	S28-FKK.782	1 pk / 40 ad

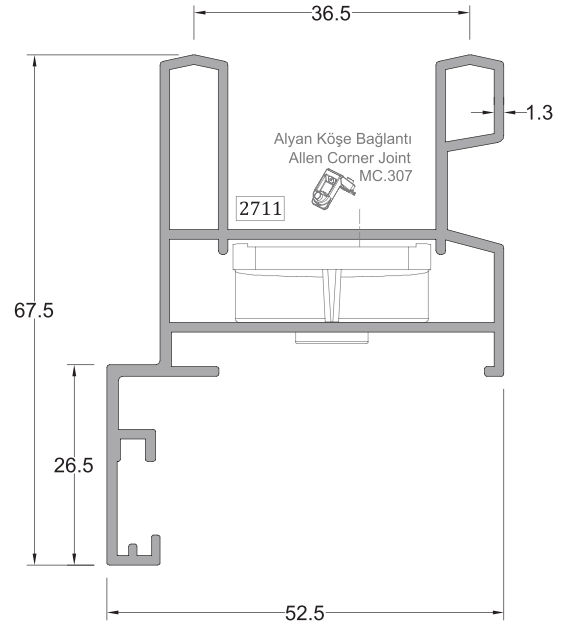
AKSESUAR ACCESSORY	STOK KODU REFERENCE CODE	AKSESUAR ADI DESCRIPTION	AKSESUAR KODU PRODUCT CODE		PAKET PACK
	05 010903	SÜRME KİLİT SLIDING LOCK	S28-SK.903		1 ad / paket
	05 010907	ANAHTARLI SÜRME KİLİT SLIDING LOCK	S28-SK.907		1 ad / paket
	01 130307	ALYAN KÖŞE BAĞLANTI ALLEN CORNER JOINT	S28-MC.307		250 ad / paket
	01 130308	ALYAN KÖŞE BAĞLANTI ALLEN CORNER JOINT	S28-MC.308		250 ad / paket
	01 110140	ALÜMİNYUM ÇİFTLİ RULMAN ALUMINIUM ROLLER(DOUBLE)	S28-ÇR.140	80 KG	200 ad / paket
	04 105070	SİNEKLİK KÖŞE TAKOZ SCREENING CORNER WEDGE	S28-ST.70		100 ad / paket
	04 105060	SİNEKLİK RULMAN SCREENING ROLLER	S28-SR.60		100 ad / paket
	04 100120	SİNEKLİK KÖŞE BAĞLANTI SCREENING CORNER CONNECTION	S28-SC.150		500 ad / paket
	04 100121	SİNEKLİK RULMAN SCREENING ROLLER	S28-PR.140		4 ad / paket
	04 060080 - 80cm	SİNEKLİK TÜLÜ SCREENING NET	S28-STF.80		24 m <sup>2</sup> / paket
	04 060100 - 100cm		S28-STF.100		30 m <sup>2</sup> / paket
	04 060120 - 120cm		S28-STF.120		36 m <sup>2</sup> / paket
	04 060140 - 140cm		S28-STF.140		44 m <sup>2</sup> / paket
	04 060160 - 160cm		S28-STF.160		48 m <sup>2</sup> / paket
	03 020114	SİNEKLİK FİTİLİ SCREENING GASKET	S28-SF.114		100 m / paket
	03 020115		S28-SF.115		
	03 020116		S28-SF.116		
	03 050711	FIRÇA FİTİL WEATHER STRIP	S28-FÇ.711		250 m / paket



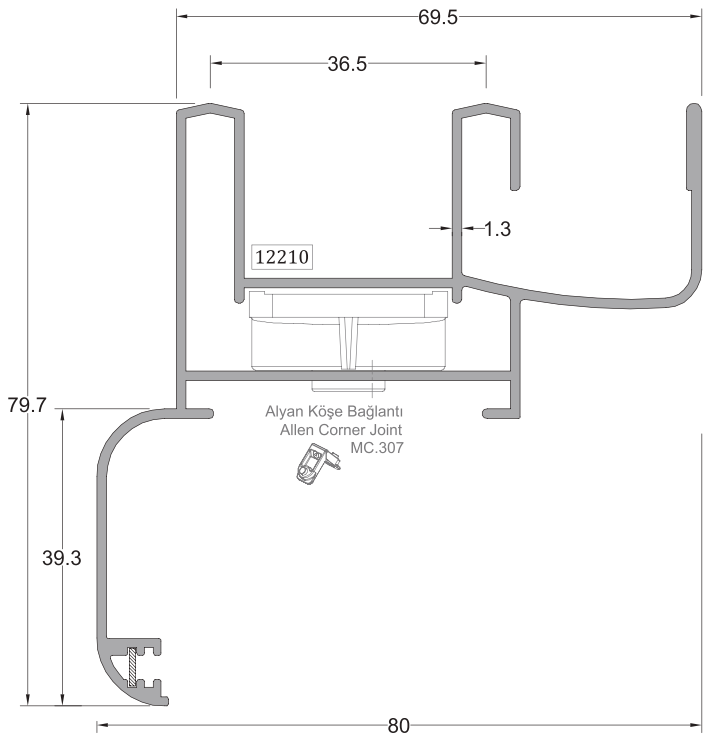




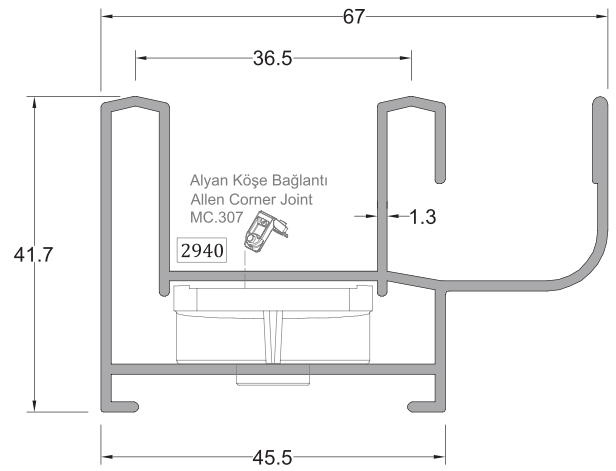
İki Raylı Kasa Profili DOUBLE RAIL FRAME PROFILE	Profil Kodu Profile Code	(kg/mt) Weight	Jx cm <sup>4</sup>	Jy cm <sup>4</sup>
	2051	0,946	5,78	15,91



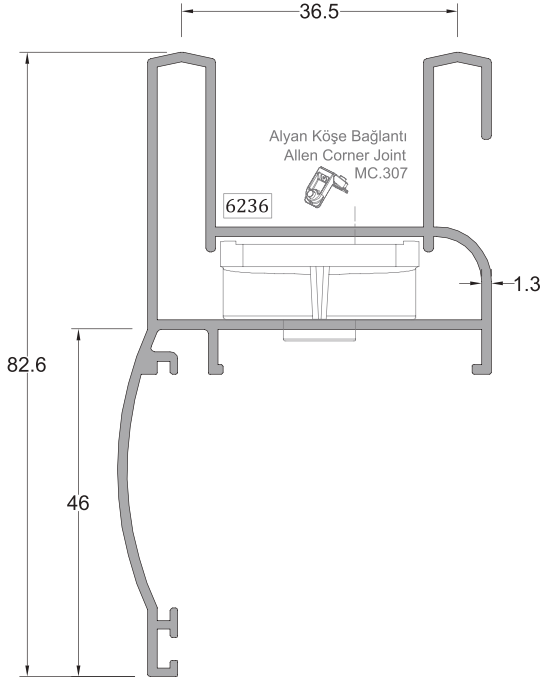
İki Raylı Kasa Profili DOUBLE RAIL FRAME PROFILE	Profil Kodu Profile Code	(kg/mt) Weight	Jx cm <sup>4</sup>	Jy cm <sup>4</sup>
	2711	1,009	10,85	12,60



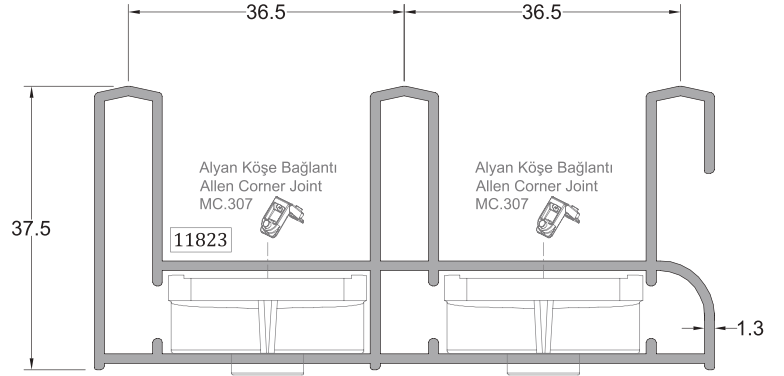
İki Raylı Kasa Profili DOUBLE RAIL FRAME PROFILE	Profil Kodu Profile Code	(kg/mt) Weight	Jx cm <sup>4</sup>	Jy cm <sup>4</sup>
	12210	1,176	17,75	27,56



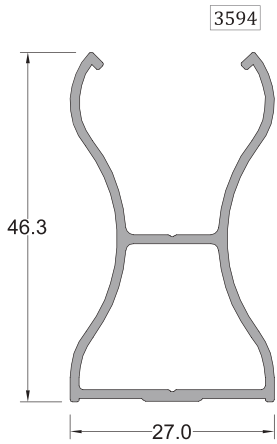
İki Raylı Kasa Profili DOUBLE RAIL FRAME PROFILE	Profil Kodu Profile Code	(kg/mt) Weight	Jx cm <sup>4</sup>	Jy cm <sup>4</sup>
	2940	0,936	5,13	16,41



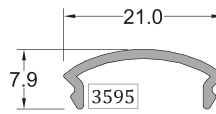
İki Raylı Kasa Profili DOUBLE RAIL FRAME PROFILE	Profil Kodu Profile Code	(kg/mt) Weight	Jx cm <sup>4</sup>	Jy cm <sup>4</sup>
	6236	0,966	14,81	10,77



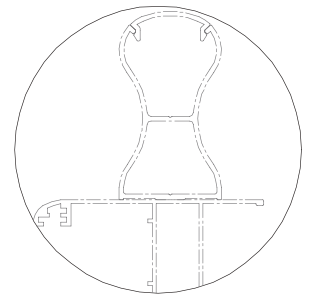
Üç Raylı Kasa Profili TRIPLE RAIL FRAME PROFILE	Profil Kodu Profile Code	(kg/mt) Weight	Jx cm <sup>4</sup>	Jy cm <sup>4</sup>
	11823	1,209	6,18	31,71



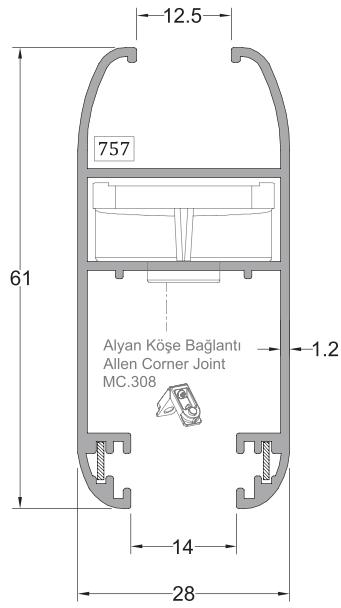
Takviye Profili REINFORCE PROFILE	Profil Kodu Profile Code	(kg/mt) Weight
	3594	0,456



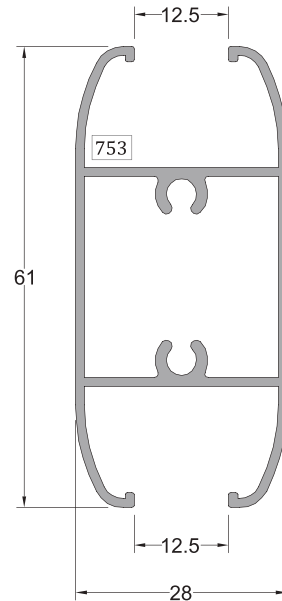
Takviye Kapak Profili REINFORCE COVER PROFILE	Profil Kodu Profile Code	(kg/mt) Weight
	3595	0,101



\*\* Her profil için minimum sipariş 300 kg'dır.  
\*\* Minimum order quantity is 300 kg per profile.

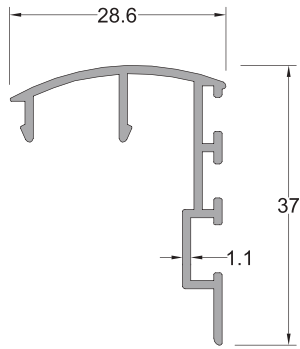


Kanat Profili SASH PROFILE	Profil Kodu Profile Code	(kg/mt) Weight	Jx cm <sup>4</sup>	Jy cm <sup>4</sup>
	757	0,703	8,38	3,25

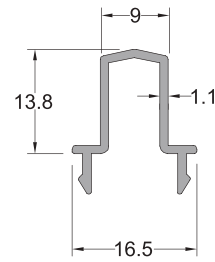


(757 ile kullanılır.)

Kanat Profili SASH PROFILE	Profil Kodu Profile Code	(kg/mt) Weight	Jx cm <sup>4</sup>	Jy cm <sup>4</sup>
	753	0,707	7,73	2,89



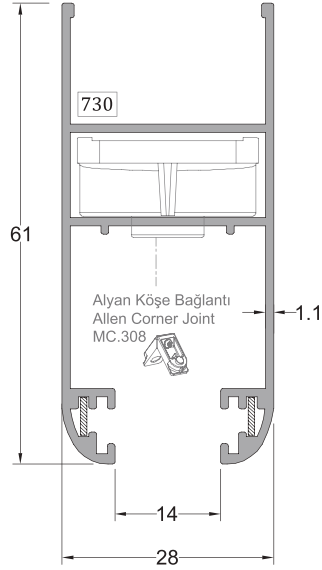
Kenet Profili INTERLOCKING PROFILE	Profil Kodu Profile Code	(kg/mt) Weight
	731	0,291



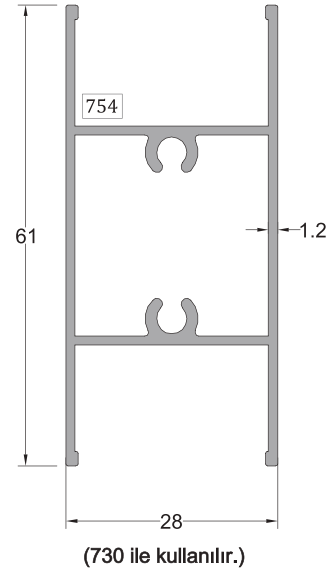
Adaptör Profili ADAPTER PROFILE	Profil Kodu Profile Code	(kg/mt) Weight
	756	0,154

★	757	753	731	756
---	-----	-----	-----	-----

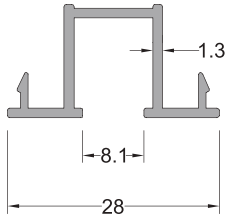
Tablodaki profiller birbiri ile çalışmaktadır.  
Profiles in the table work with each other.



Kanat Profili SASH PROFILE	Profil Kodu Profile Code	(kg/mt) Weight	Jx cm <sup>4</sup>	Jy cm <sup>4</sup>
	730	0,644	7,34	3,13

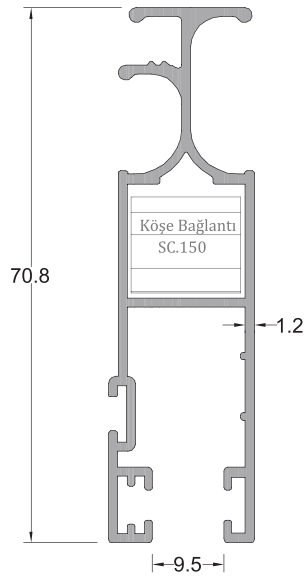


Kanat Profili SASH PROFILE	Profil Kodu Profile Code	(kg/mt) Weight	Jx cm <sup>4</sup>	Jy cm <sup>4</sup>
	754	0,644	6,41	3,03

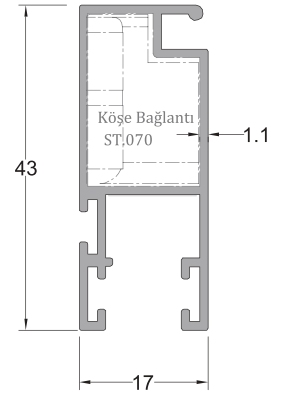


(730,754 ile kullanılır.)

Tek Cam Adaptör Profili ADAPTER PROFILE	Profil Kodu Profile Code	(kg/mt) Weight
	775	0,229



Sineklik Profili SCREENING PROFILE	Profil Kodu Profile Code	(kg/mt) Weight
	12339	0,703

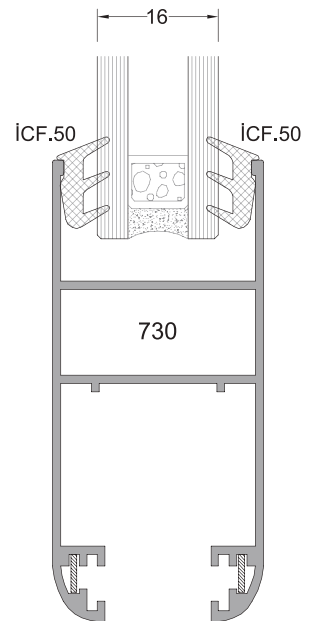
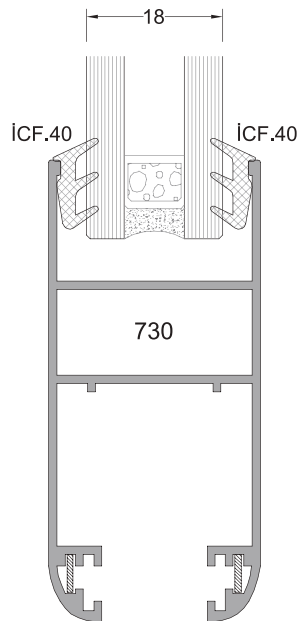
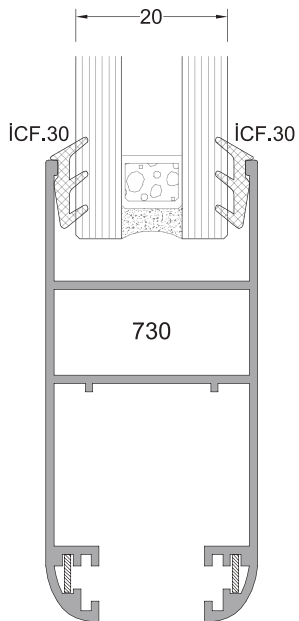
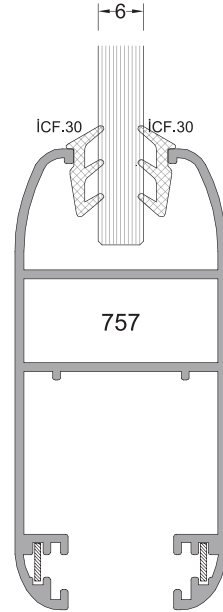
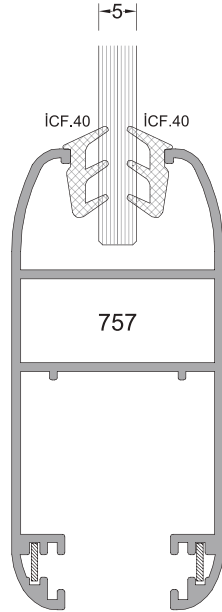
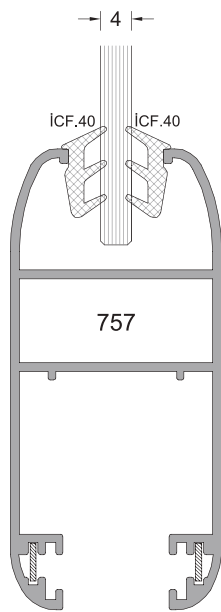


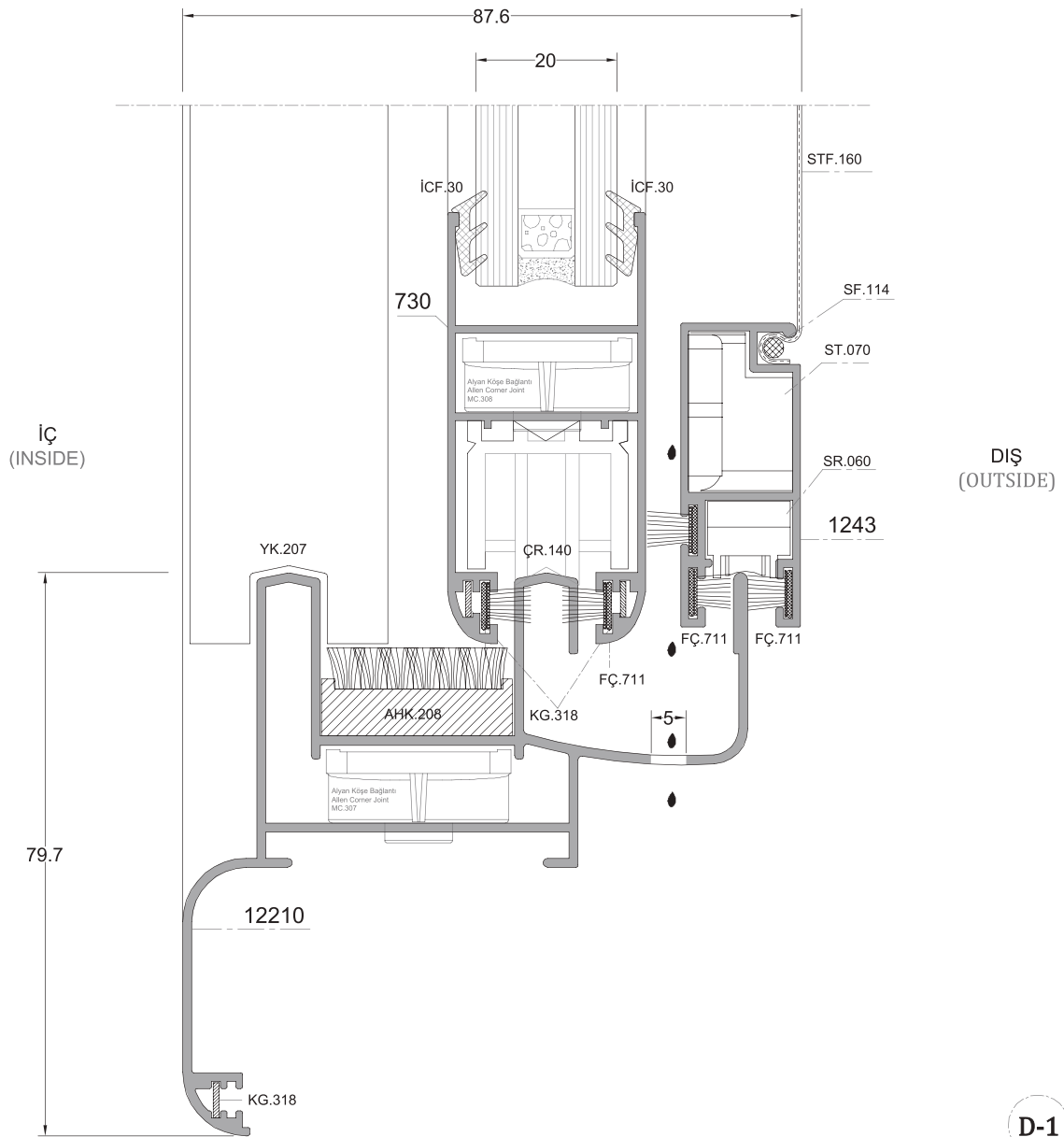
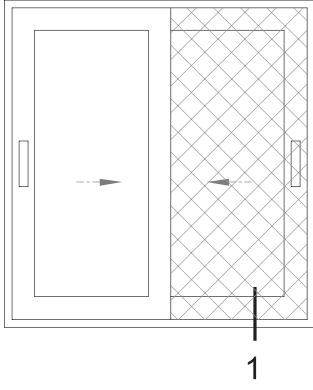
Sineklik Profili SCREENING PROFILE	Profil Kodu Profile Code	(kg/mt) Weight
	1243	0,434

★	730	754	731	756	775
---	-----	-----	-----	-----	-----

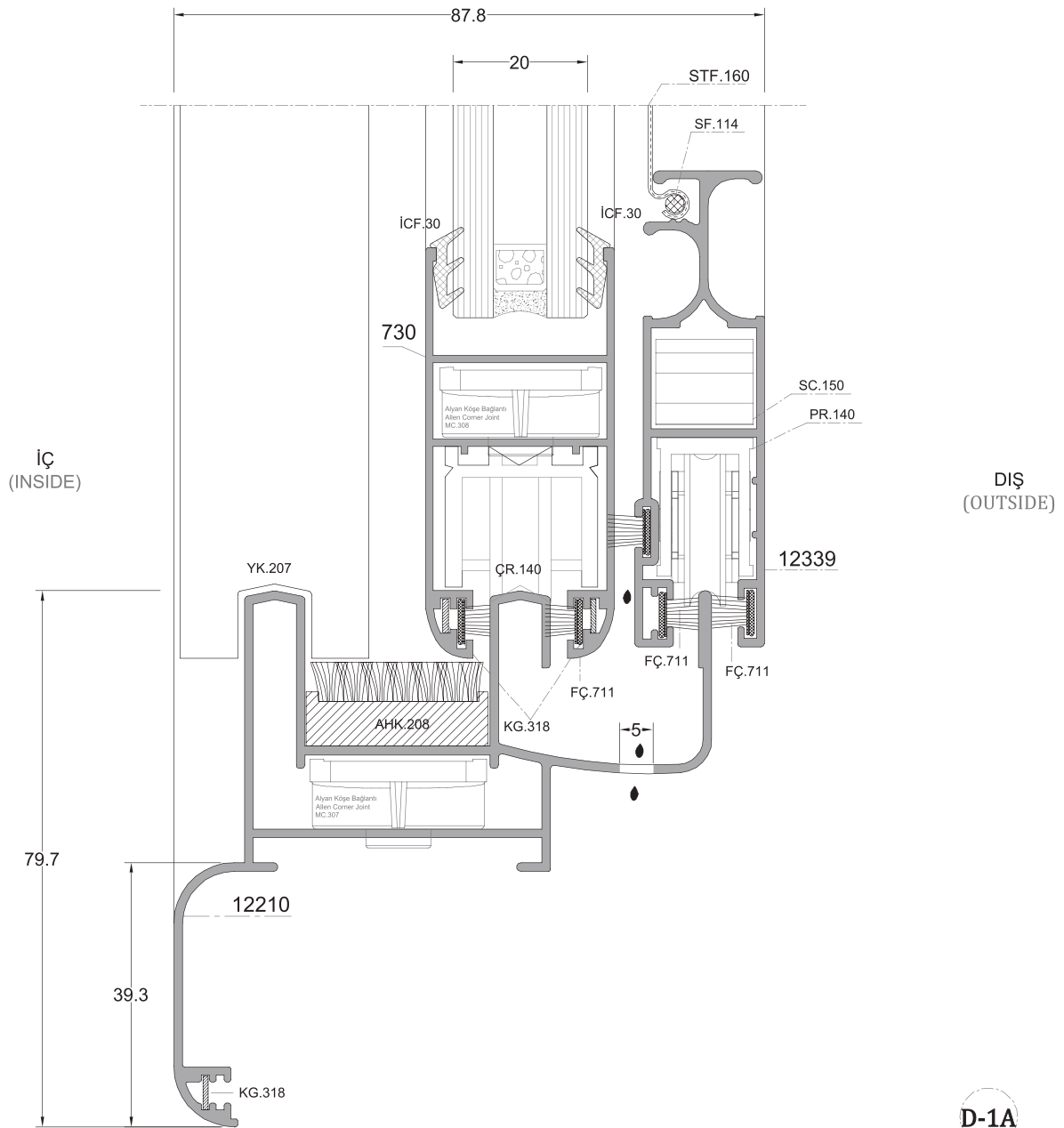
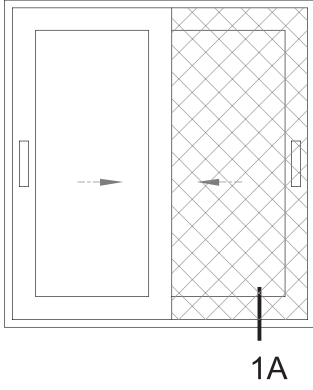
Tablodaki profiller birbiri ile çalışmaktadır.  
Profiles in the table work with each other.

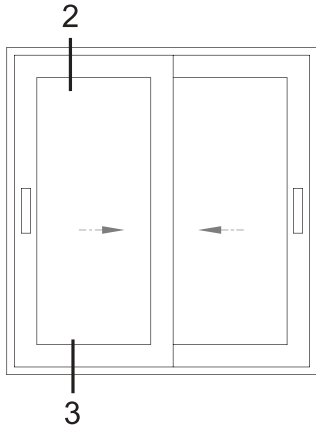
\*\* Her profil için minimum sipariş 300 kg'dır.  
\*\* Minimum order quantity is 300 kg per profile.



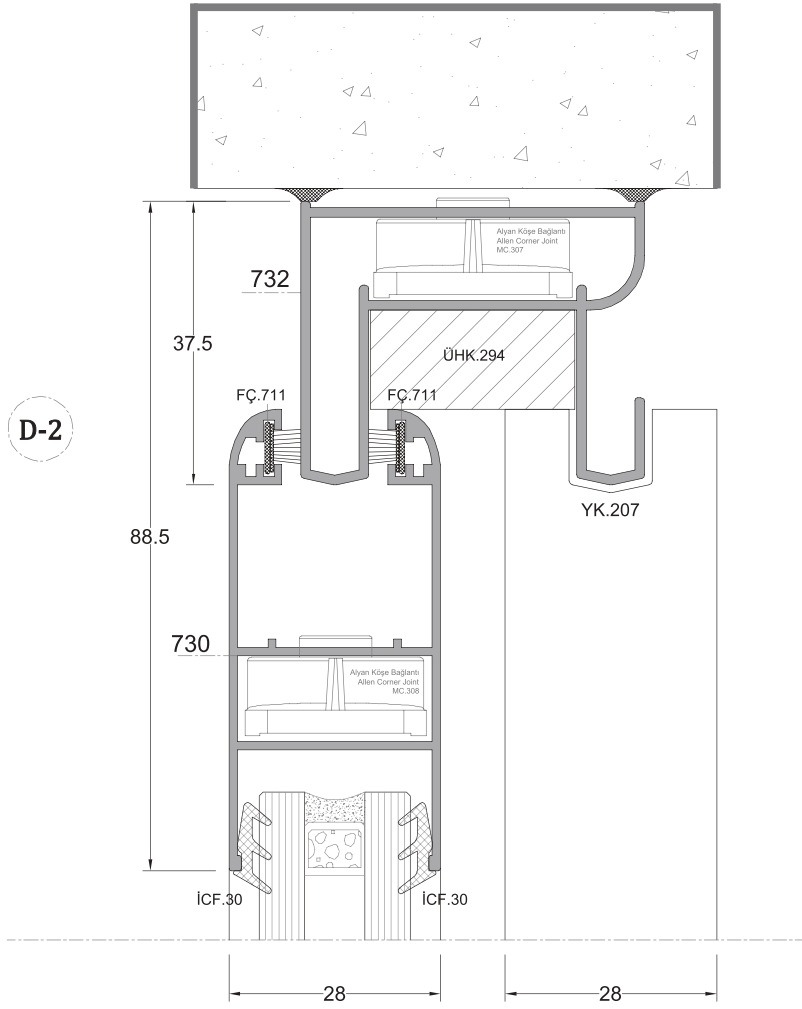


D-1





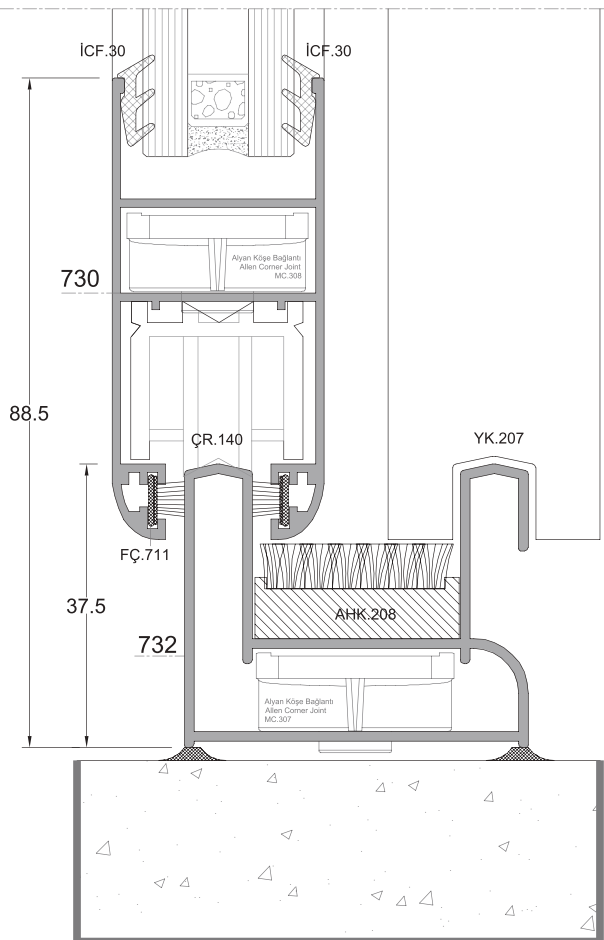
D-2



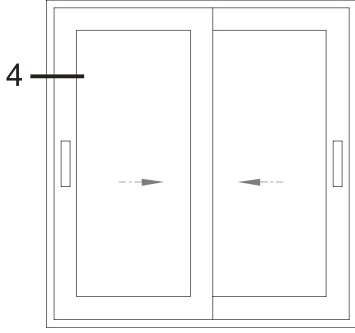
İÇ  
(INSIDE)

DIŞ  
(OUTSIDE)

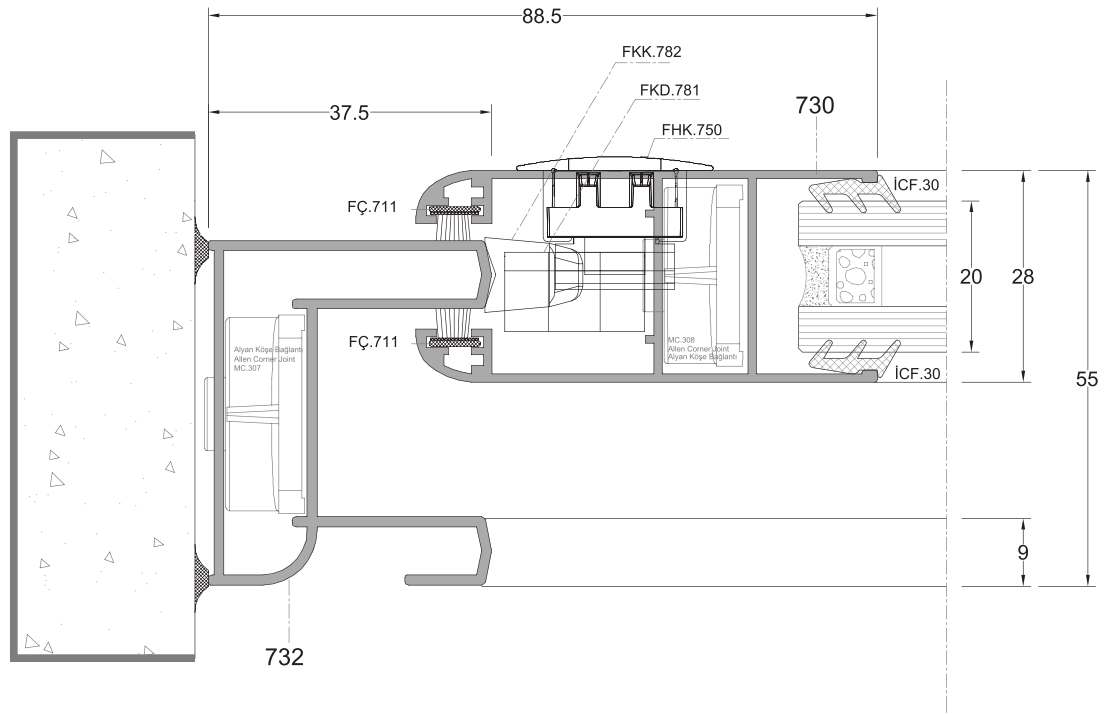
D-3





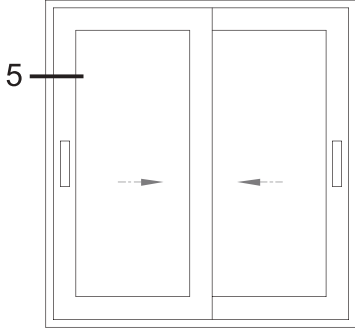


İÇ  
(INSIDE)

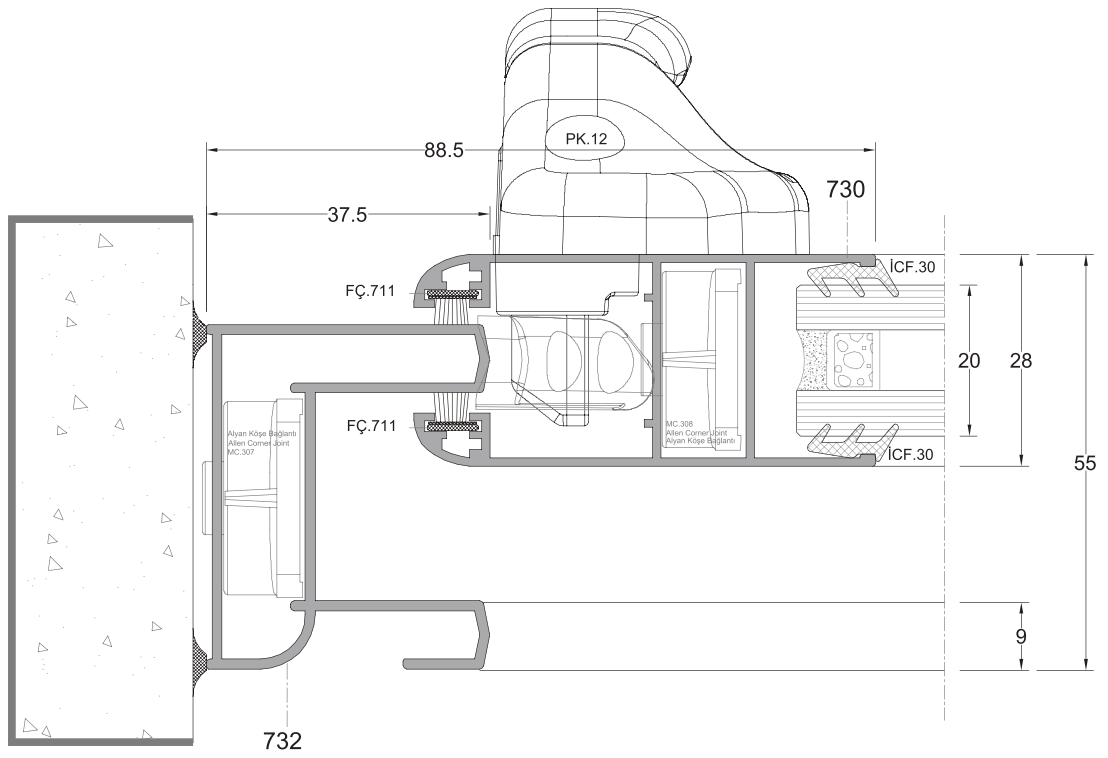


DIŞ  
(OUTSIDE)

D-4

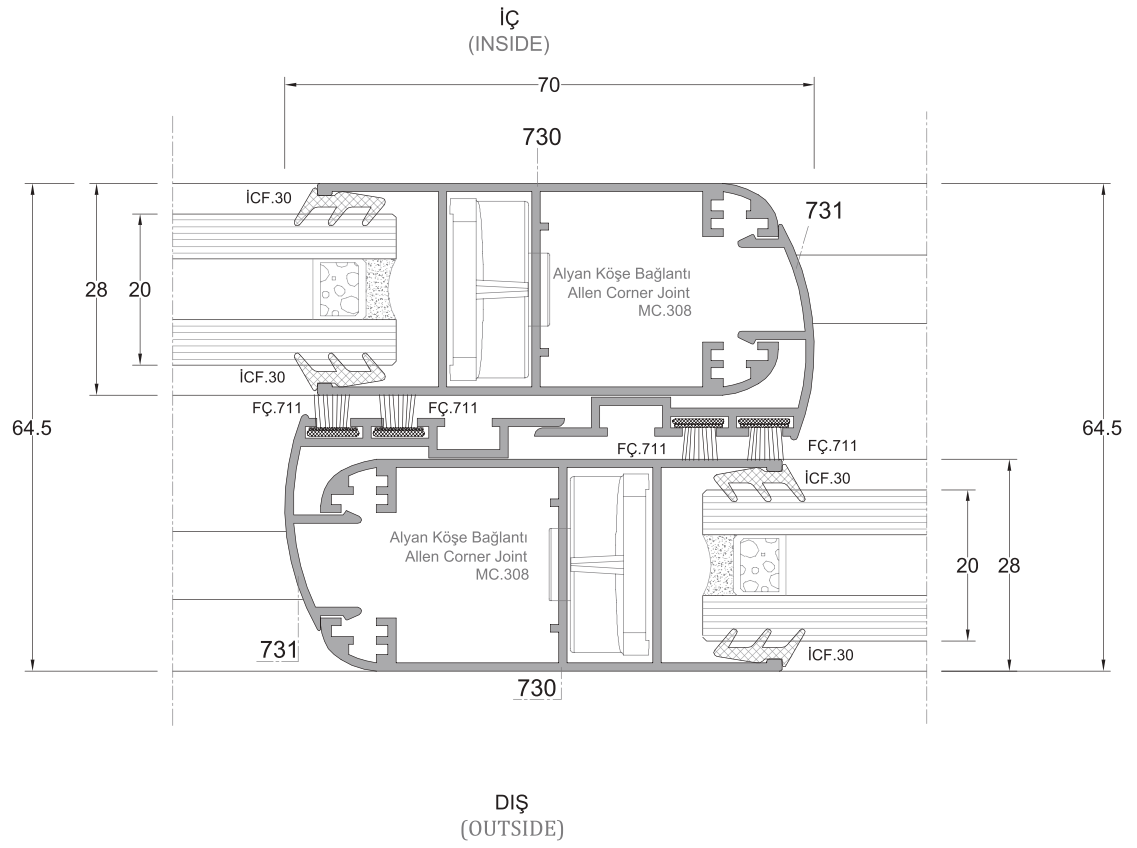
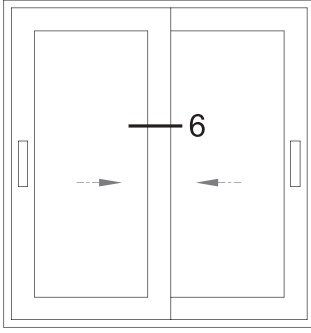


İÇ  
(INSIDE)

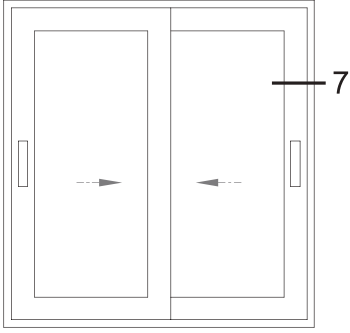


DIŞ  
(OUTSIDE)

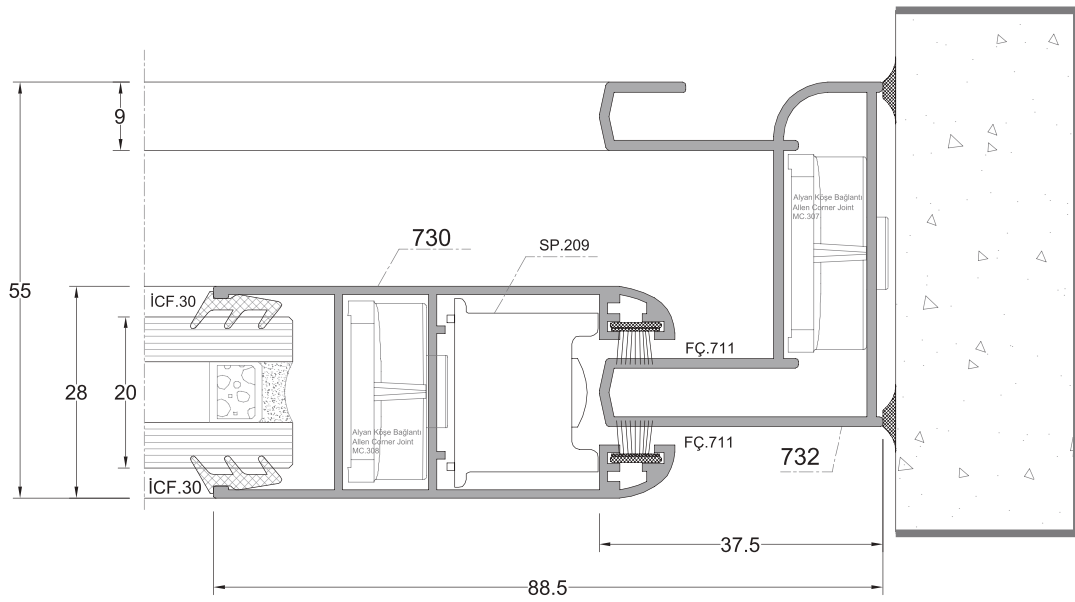
D-5



D-6

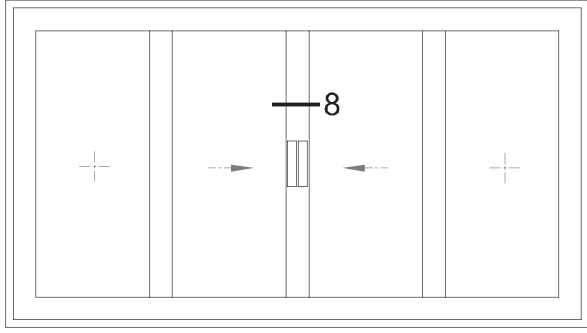


İÇ  
(INSIDE)

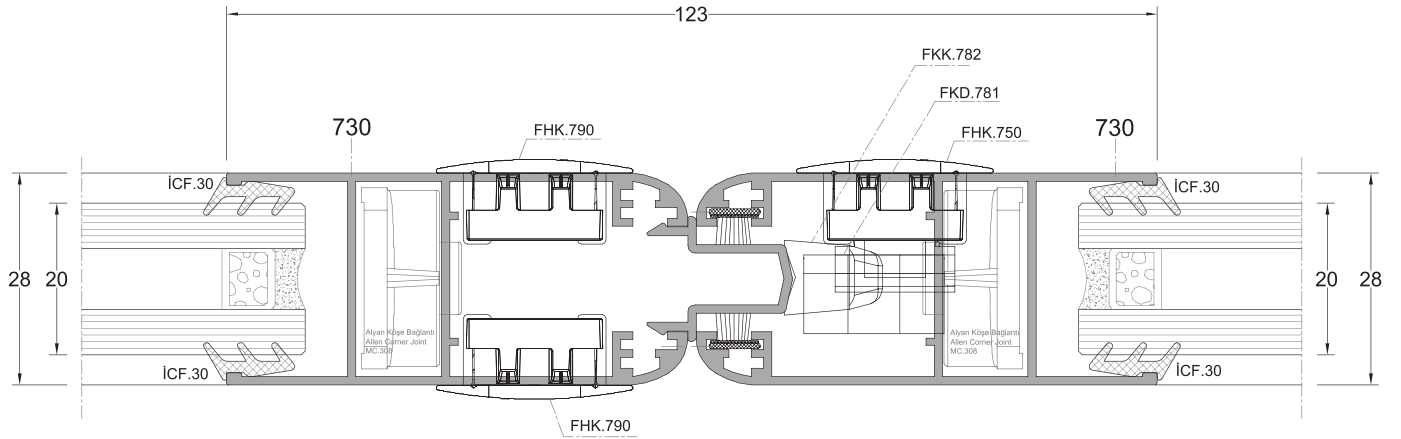


DIŞ  
(OUTSIDE)

D-7

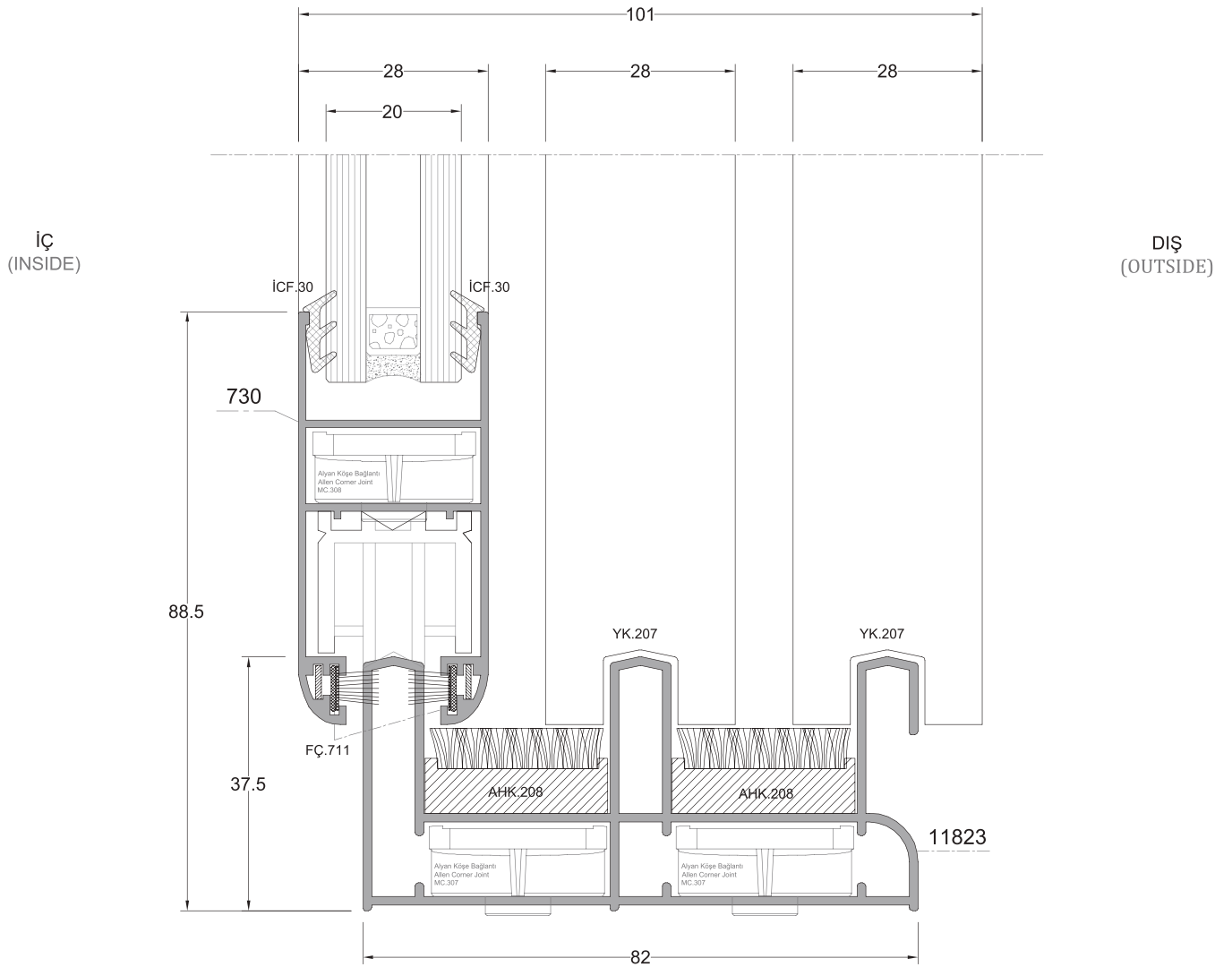
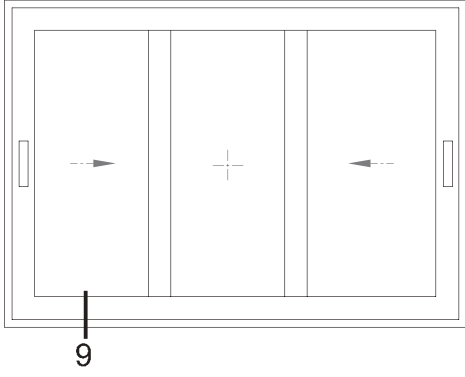


İÇ  
(INSIDE)

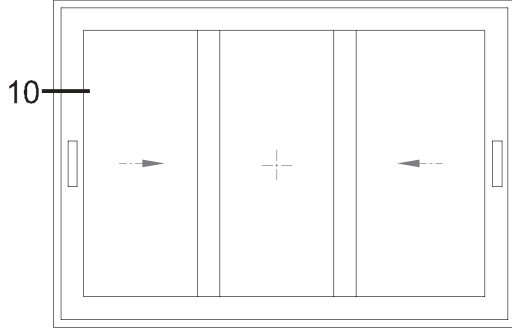


DİŞ  
(OUTSIDE)

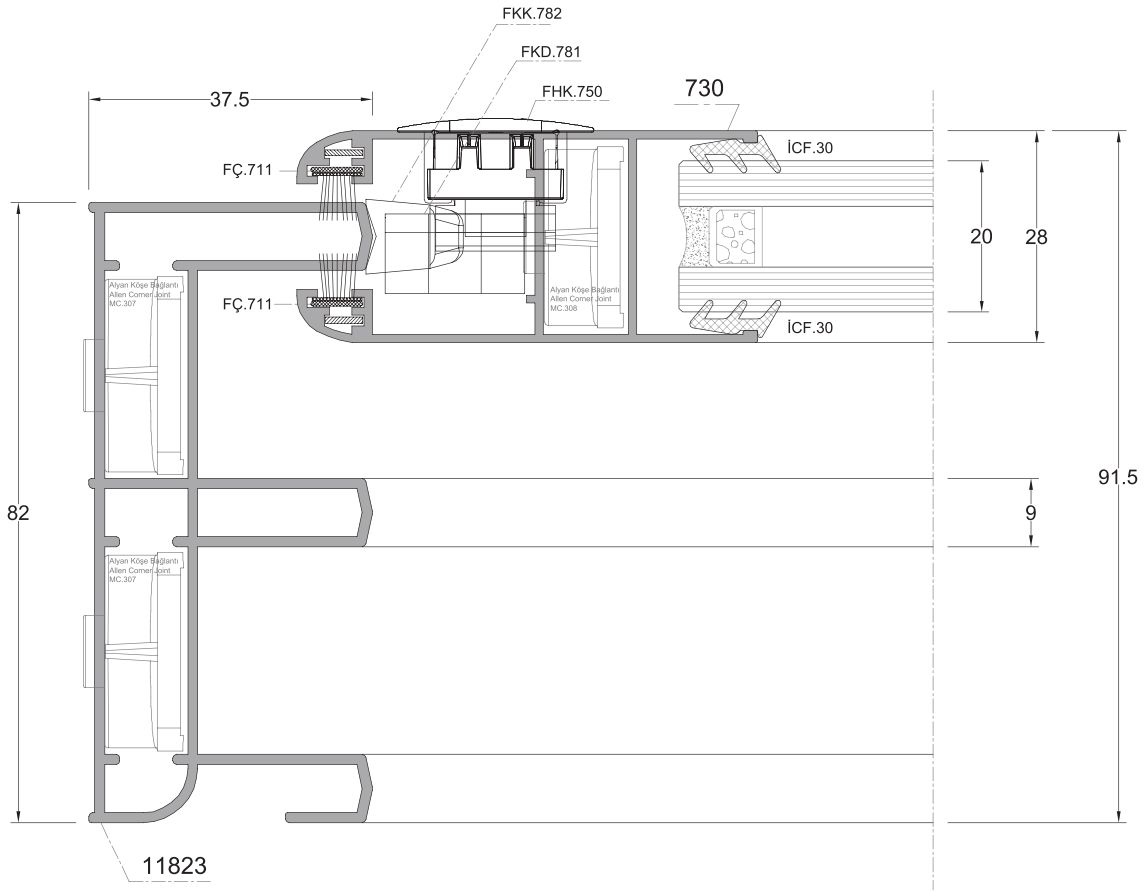
D-8



D-9

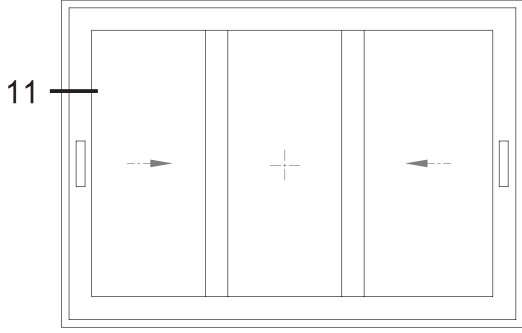


İÇ  
(INSIDE)

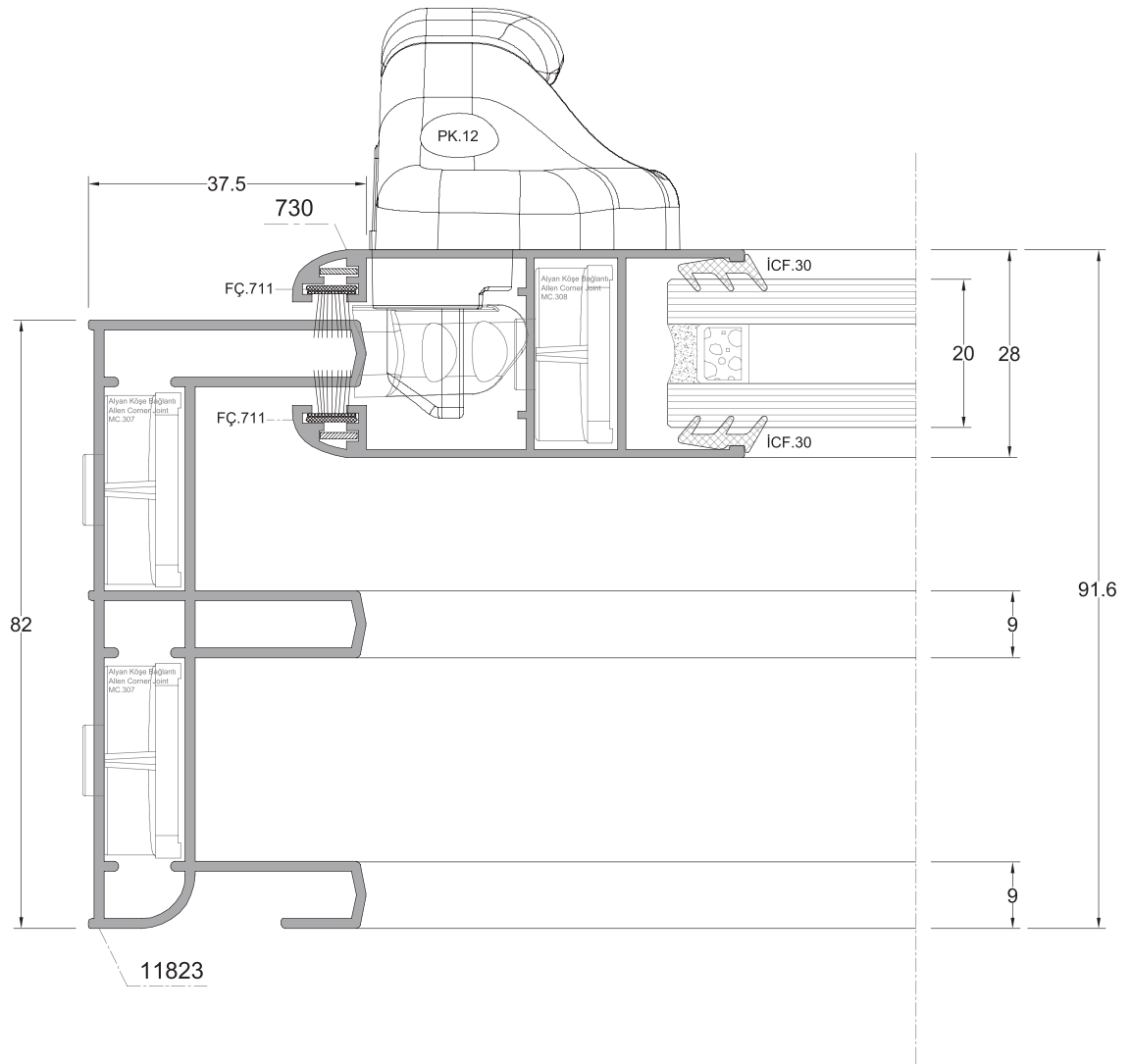


DIŞ  
(OUTSIDE)

D-10



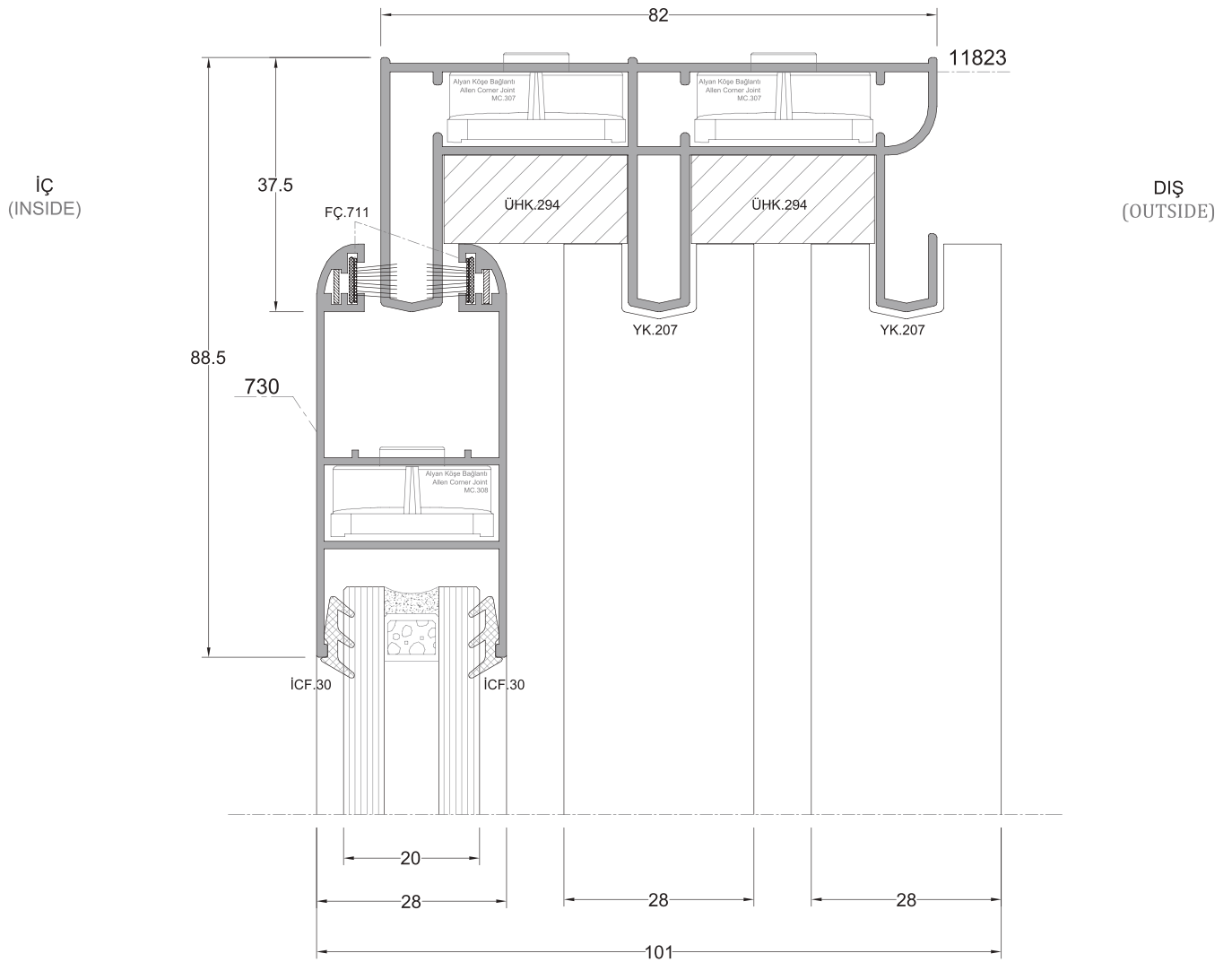
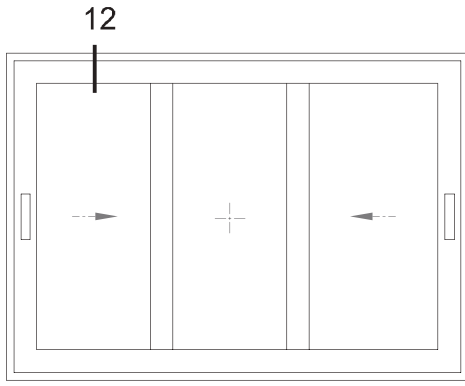
İÇ  
(INSIDE)



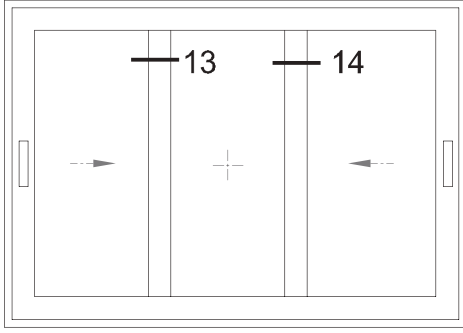
DIŞ  
(OUTSIDE)

D-11

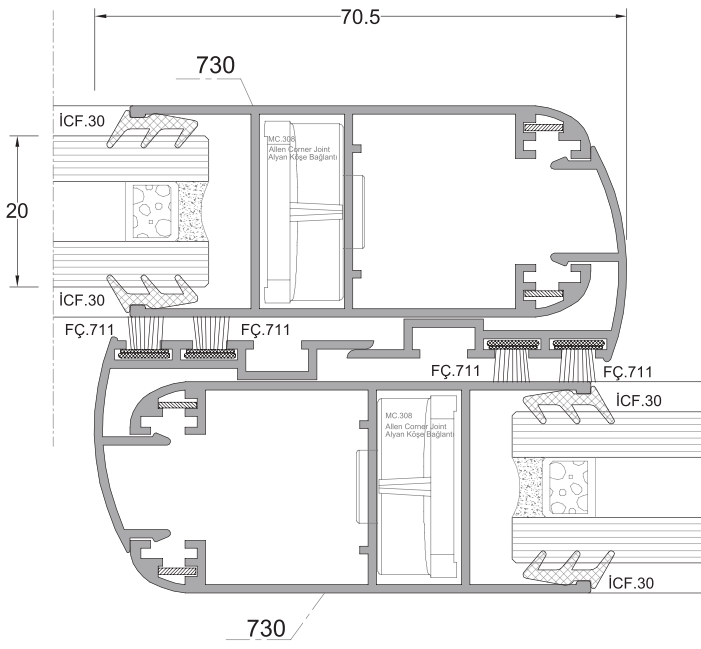




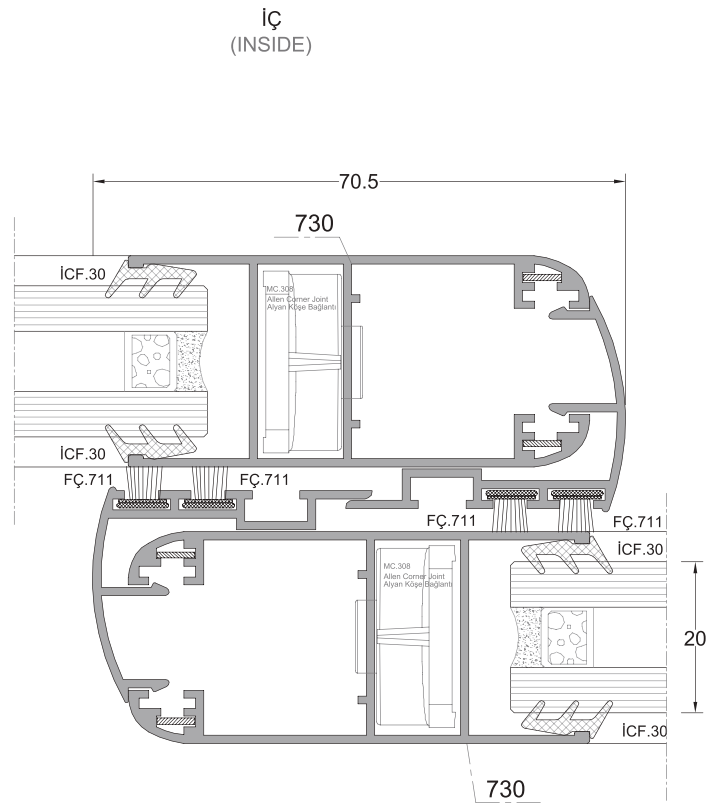
D-12



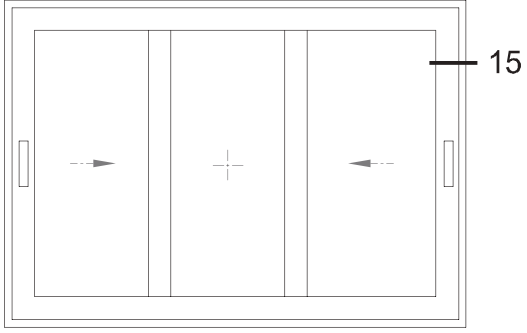
**D-13**



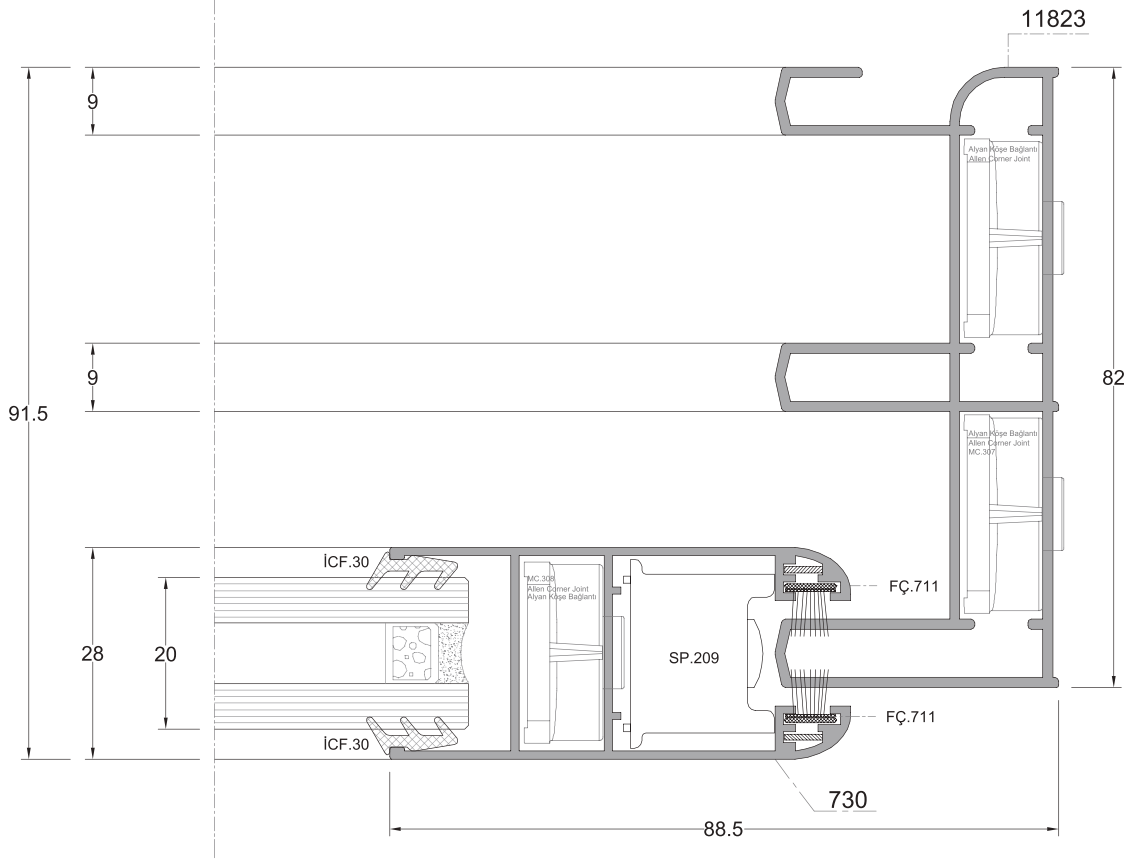
**DIŞ**  
(OUTSIDE)



**D-14**

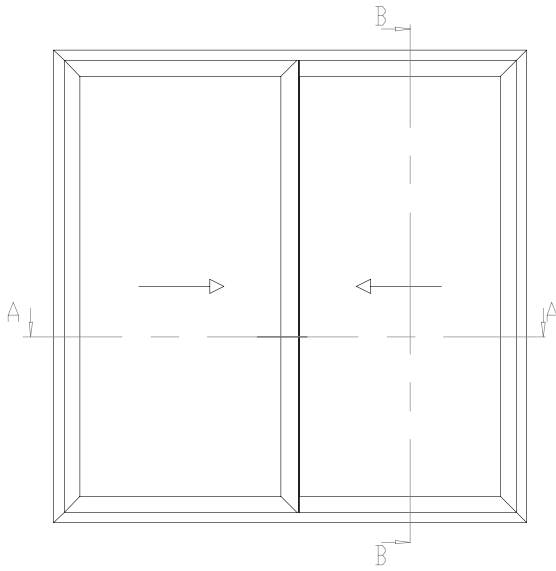


İÇ  
(INSIDE)



DİŞ  
(OUTSIDE)

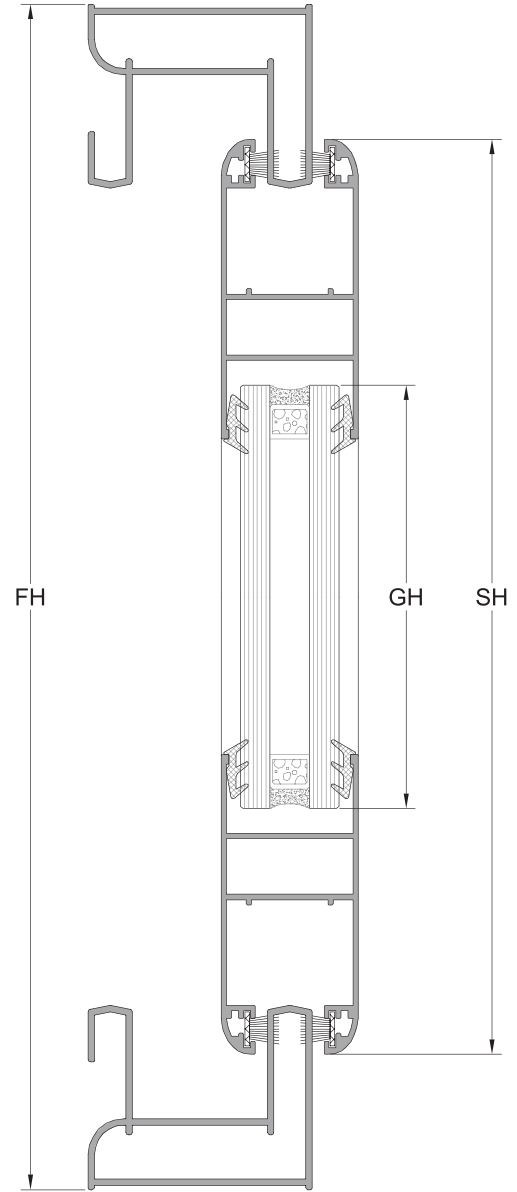
D-15



CAM ÖLÇÜLERİ EŞİT KABUL EDİLEREK  
FORMULİZE EDİLMİŞTİR.

GLASS DIMENSIONS ARE  
FORMULATED, ACCEPT EQUAL.

**B-B KESİTİ**



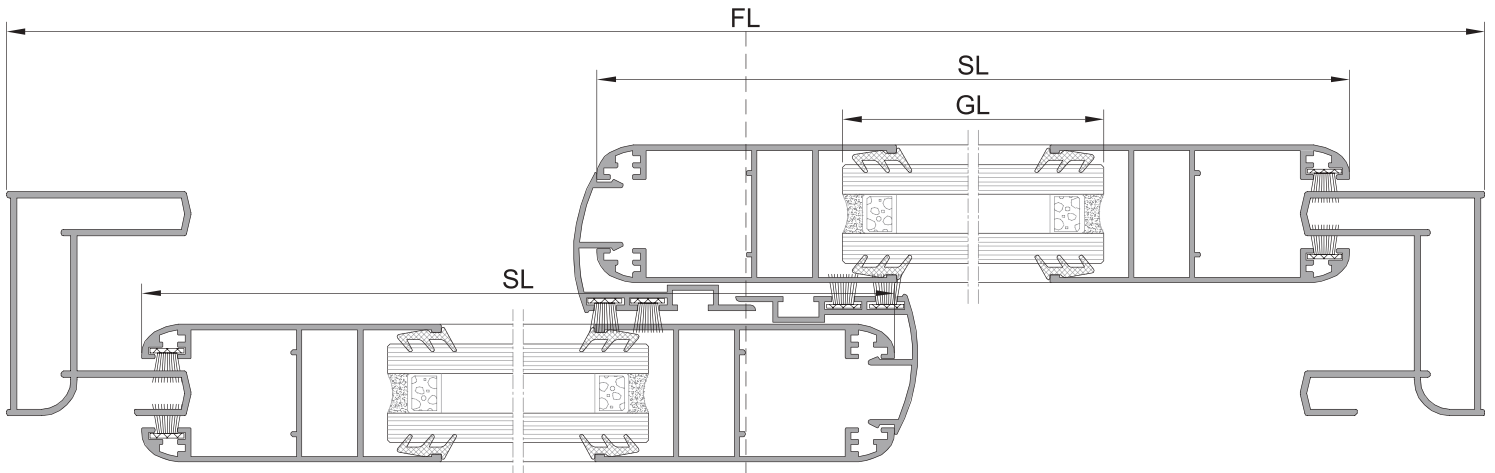
**PROFİLLER / PROFILES**

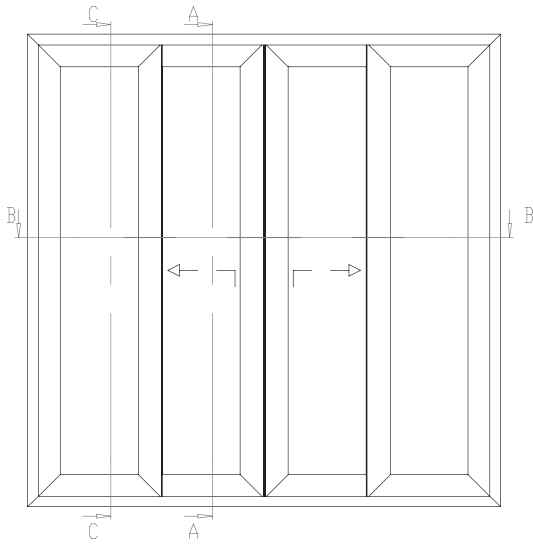
Kod Code	Çizim Drawing	Kesim Cut	Miktar Quantity	Ölçüler Dimensions
732 Kasa Frame			2 Pcs / Adet	FL
			2 Pcs / Adet	FH
730 Kanat Sash			4 Pcs / Adet	SL = (FL/2)+3
			4 Pcs / Adet	SH = FH-55

**CAM / GLASS**

Kod Code	Çizim Drawing	Miktar Quantity	Ölçüler Dimensions
CAM GLASS		2 Pcs / Adet	GL = SL-100
			GH = SH-100

**A-A KESİTİ**





CAM ÖLÇÜLERİ EŞİT KABUL EDİLEREK  
FORMULİZE EDİLMİŞTİR.

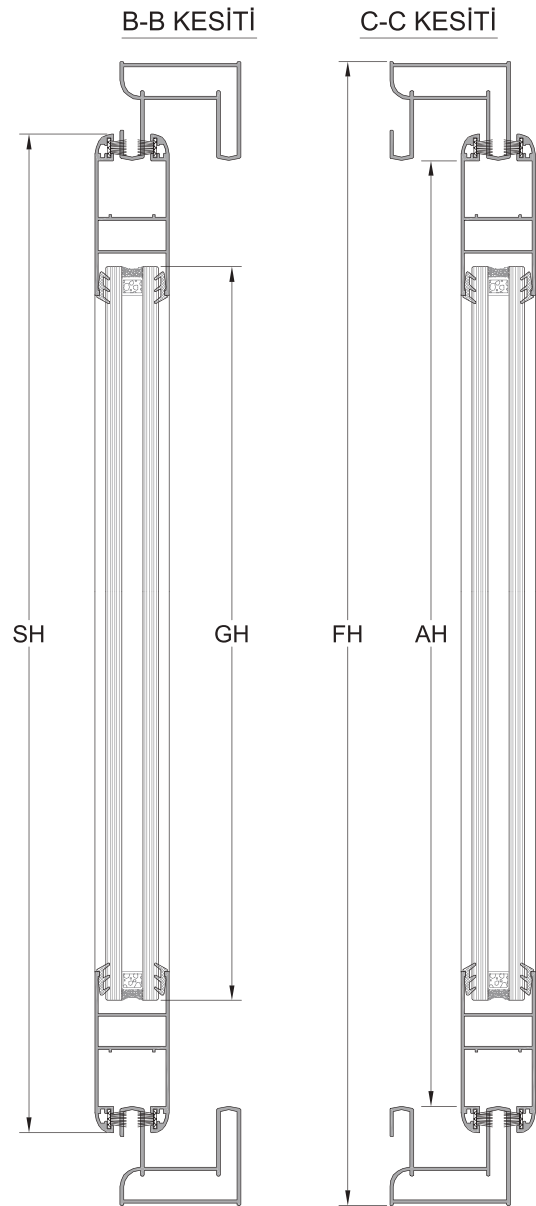
GLASS DIMENSIONS ARE  
FORMULATED, ACCEPT EQUAL.

PROFİLLER / PROFILES

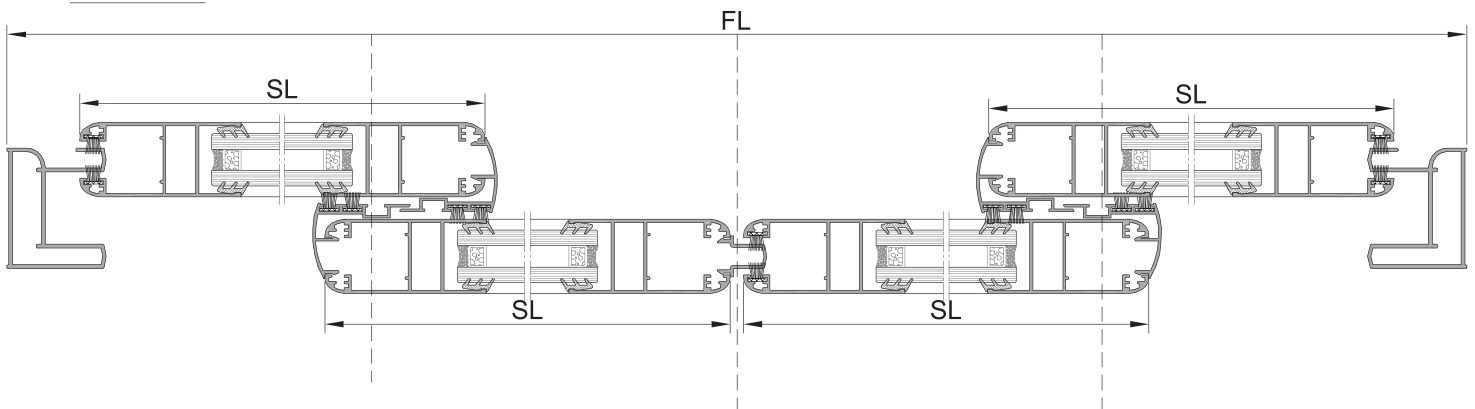
Kod Code	Çizim Drawing	Kesim Cut	Miktar Quantity	Ölçüler Dimensions
732 Kasa Frame			2 Pcs / Adet	FL
			2 Pcs / Adet	FH
730 Kanat Sash			8Pcs / Adet	$SL = (FL/4)+15,5$
			8Pcs / Adet	$SH = FH-55$
756 Adaptör Adapter			1Pcs / Adet	$AH = FH-75$

CAM / GLASS

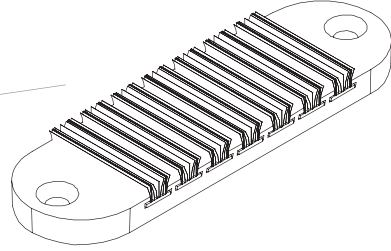
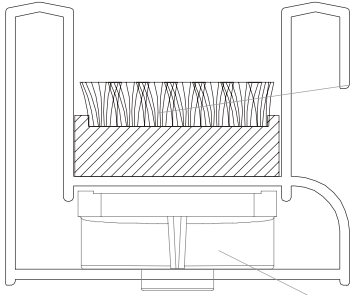
Kod Code	Çizim Drawing	Miktar Quantity	Ölçüler Dimensions
CAM GLASS		4 Pcs / Adet	$GL = SL-100$ $GH = SH-100$



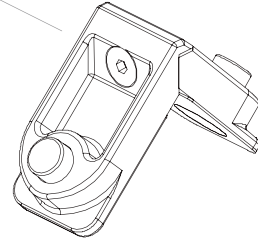
A-A KESİTİ



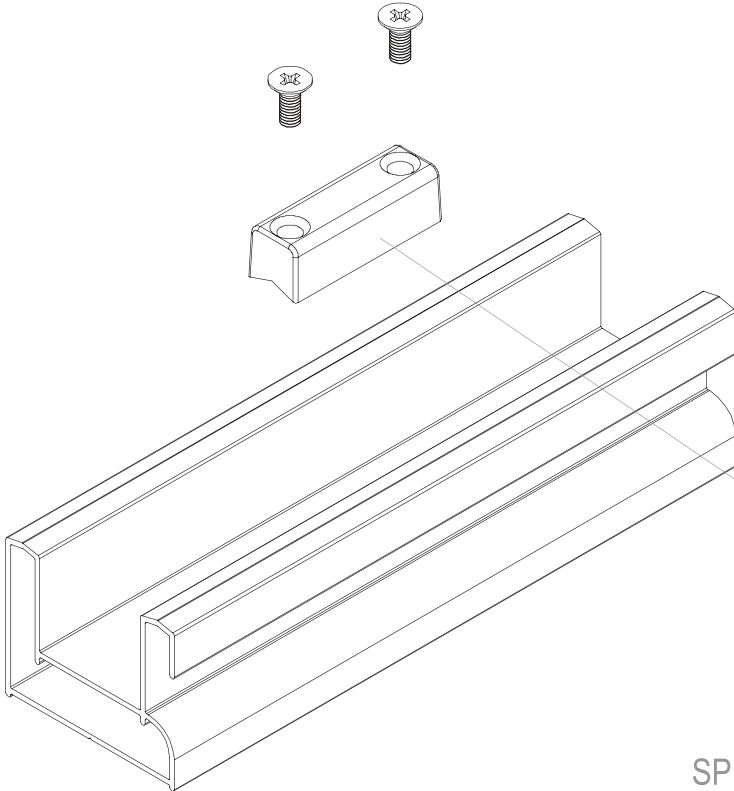
732



AHK.208  
Alt Hava Kesici  
Bottom Air Blocker

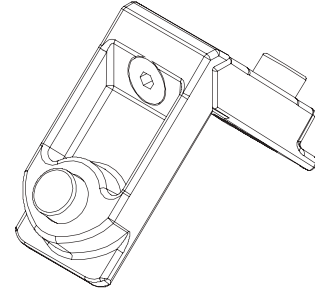
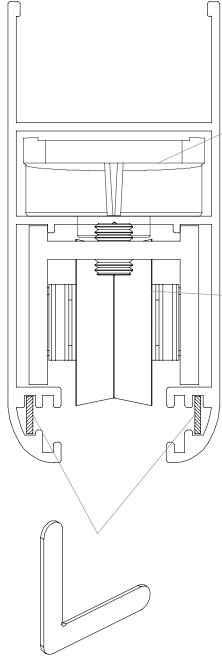


MC.307  
Alyan Köşe Gönye  
Allen Corner Joint



SP.332  
Kasa Stoper  
Frame Stopper

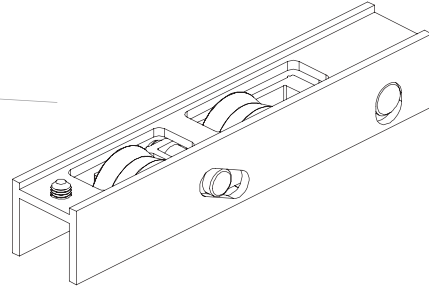
730



MC.308

Alyan Köşe Bağlantı

Allen Corner Joint



ÇR.140

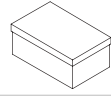
Alüminyum Çiftli Rulman

Aluminium Roller(Double)

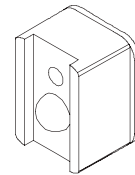
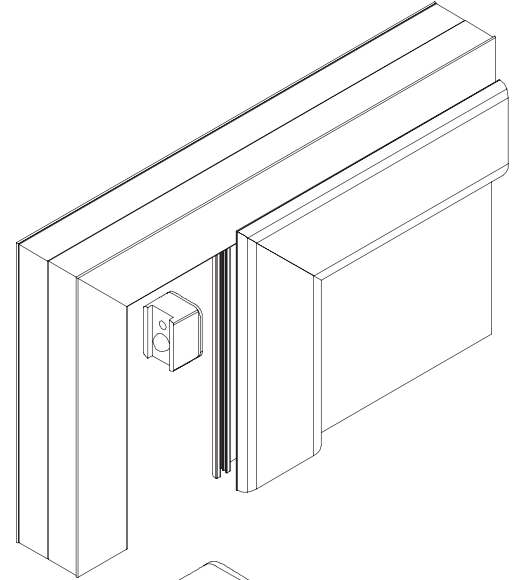
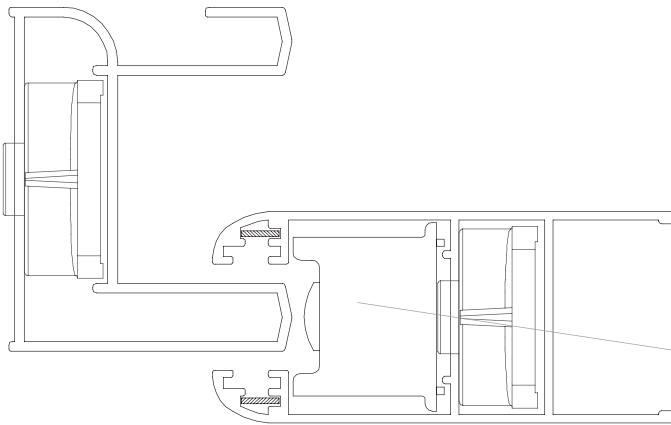
KG.318

Köşe Gönye

Corner Bracket



1000 pcs

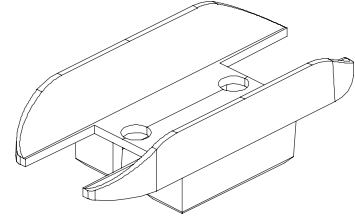
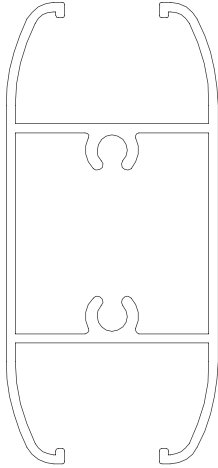


SP.209

Kanat Stoper

Sash Stopper

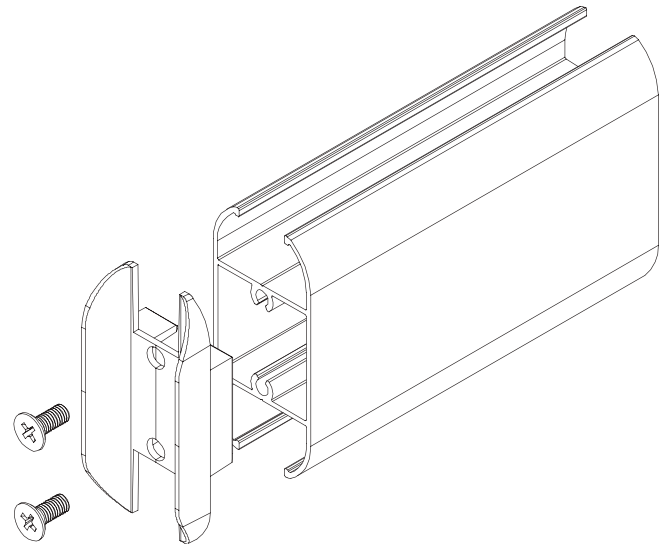
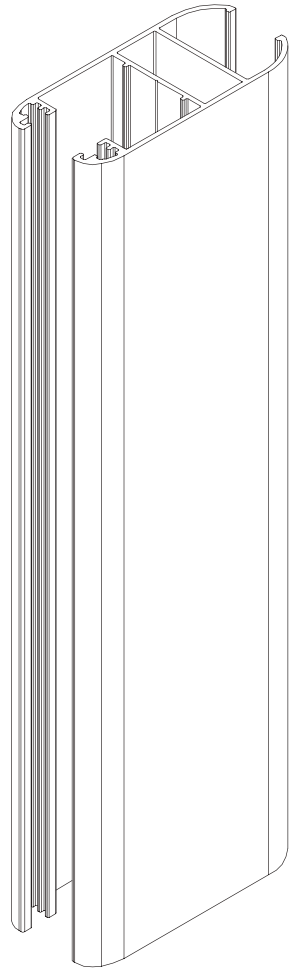
753



OKB.222

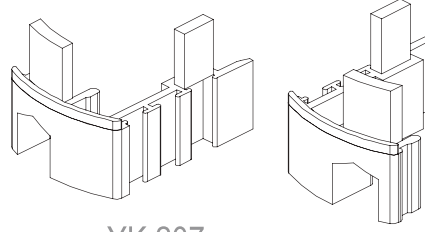
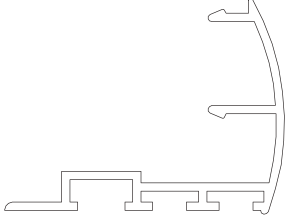
Orta Kayıt Bağlantı

Mullion Connection





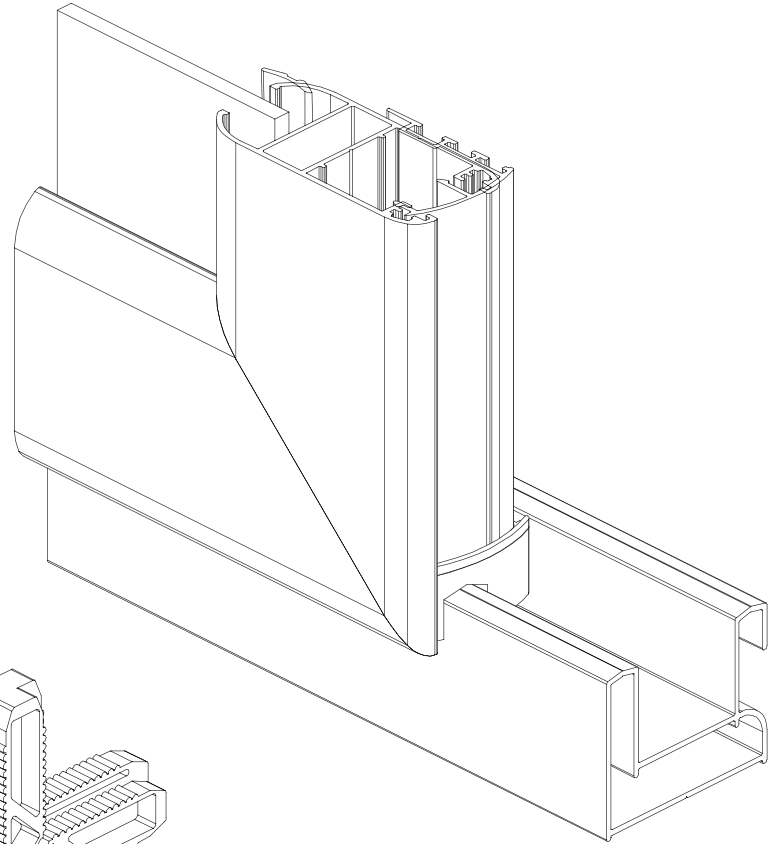
**731**



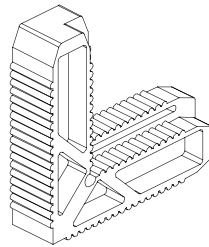
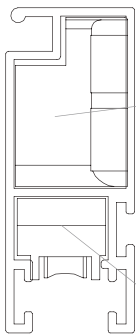
YK.207

Kenet Kapak

Interlocking Cap



**1243**



ST.70

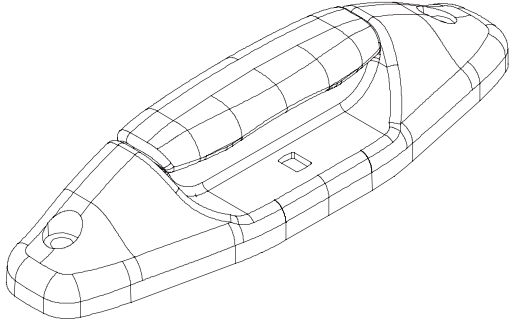
Sineklik Köşe Takoz

Screening Corner Wedge

SR.60

Sineklik Rulman

Screening Roller

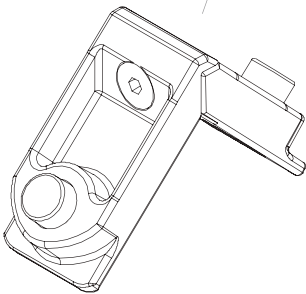
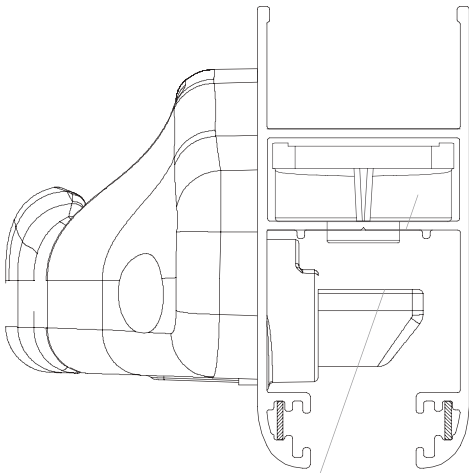


PK.12

Parizyen Kol

Sliding Handles(Parisiana)

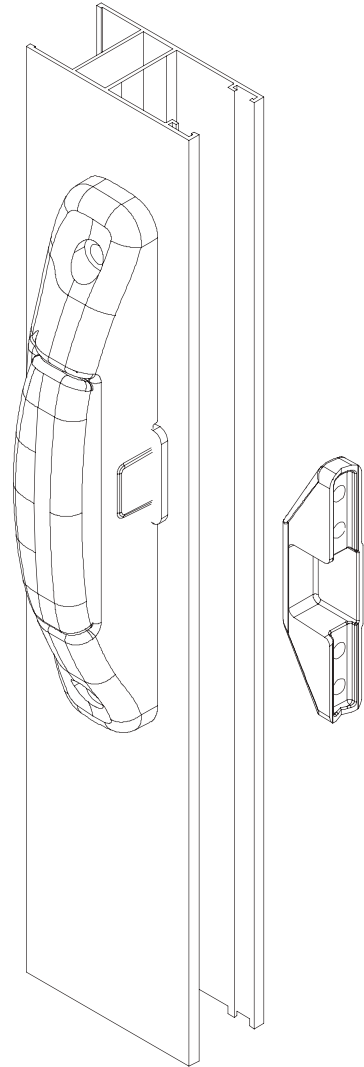
**730**

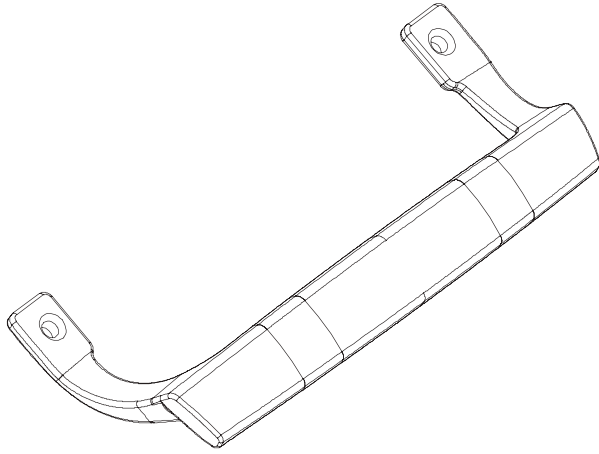


MS.04

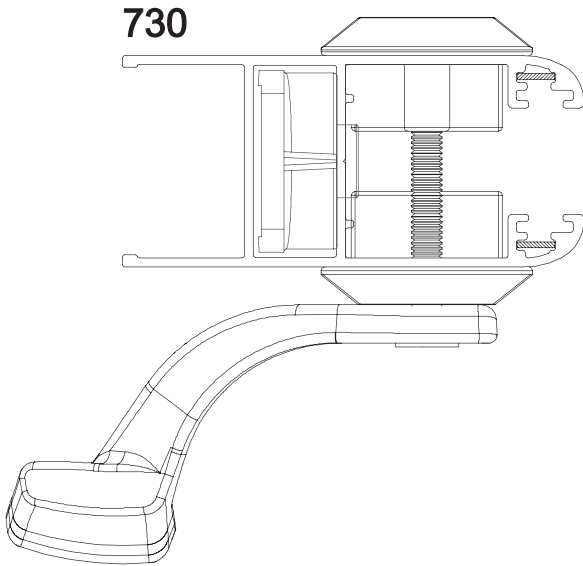
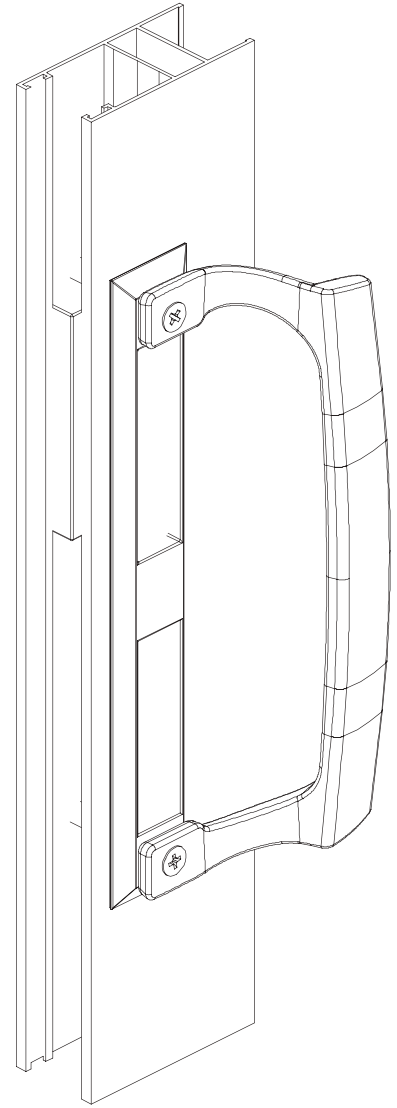
Alyan Köşe Bağlantı

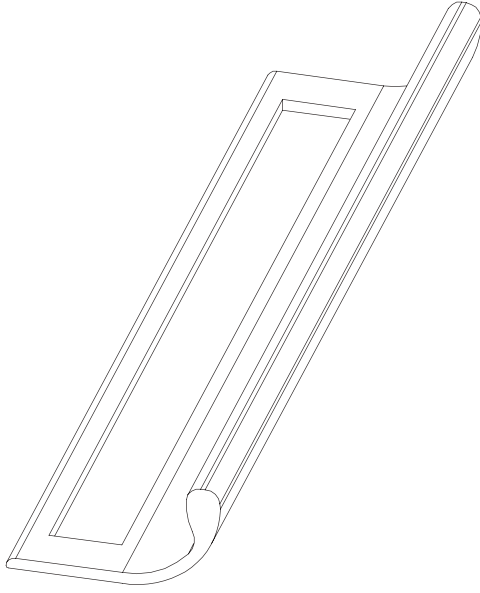
Allen Corner Joint





SK.351  
Sürme Kol  
Sliding Handles

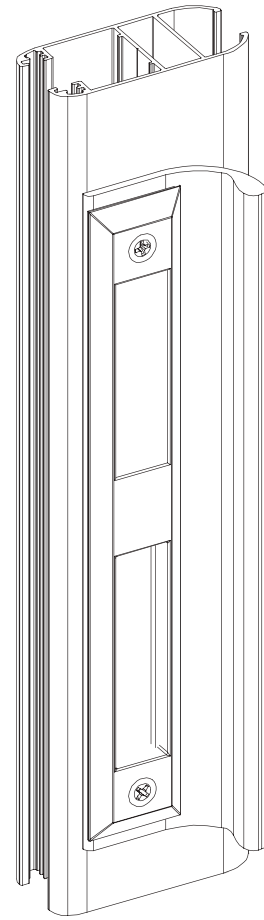




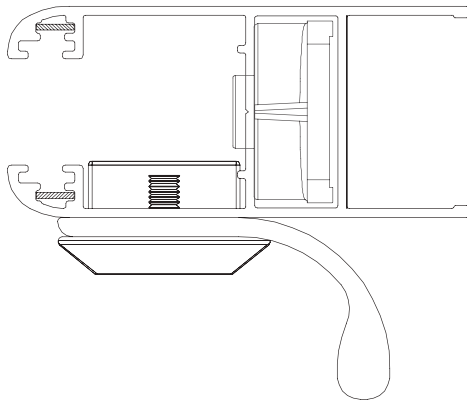
SK.352

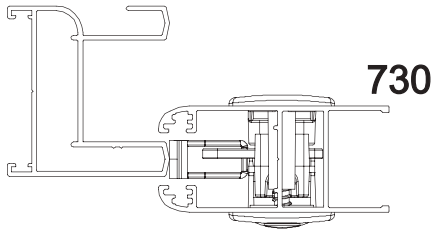
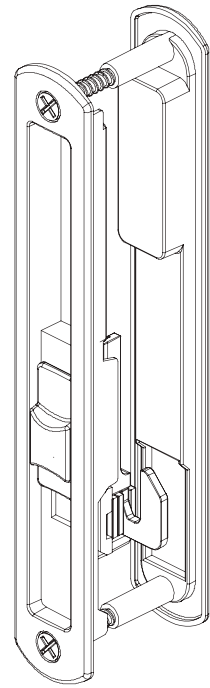
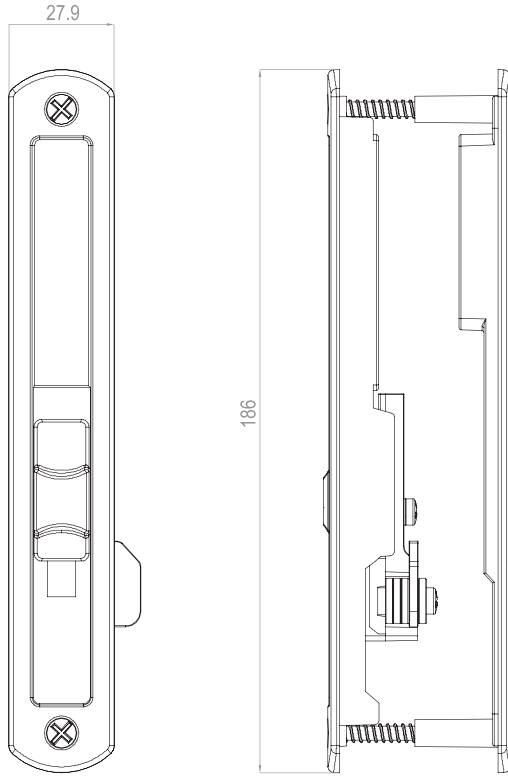
Sürme Çekme Kol

Sliding Handles



730

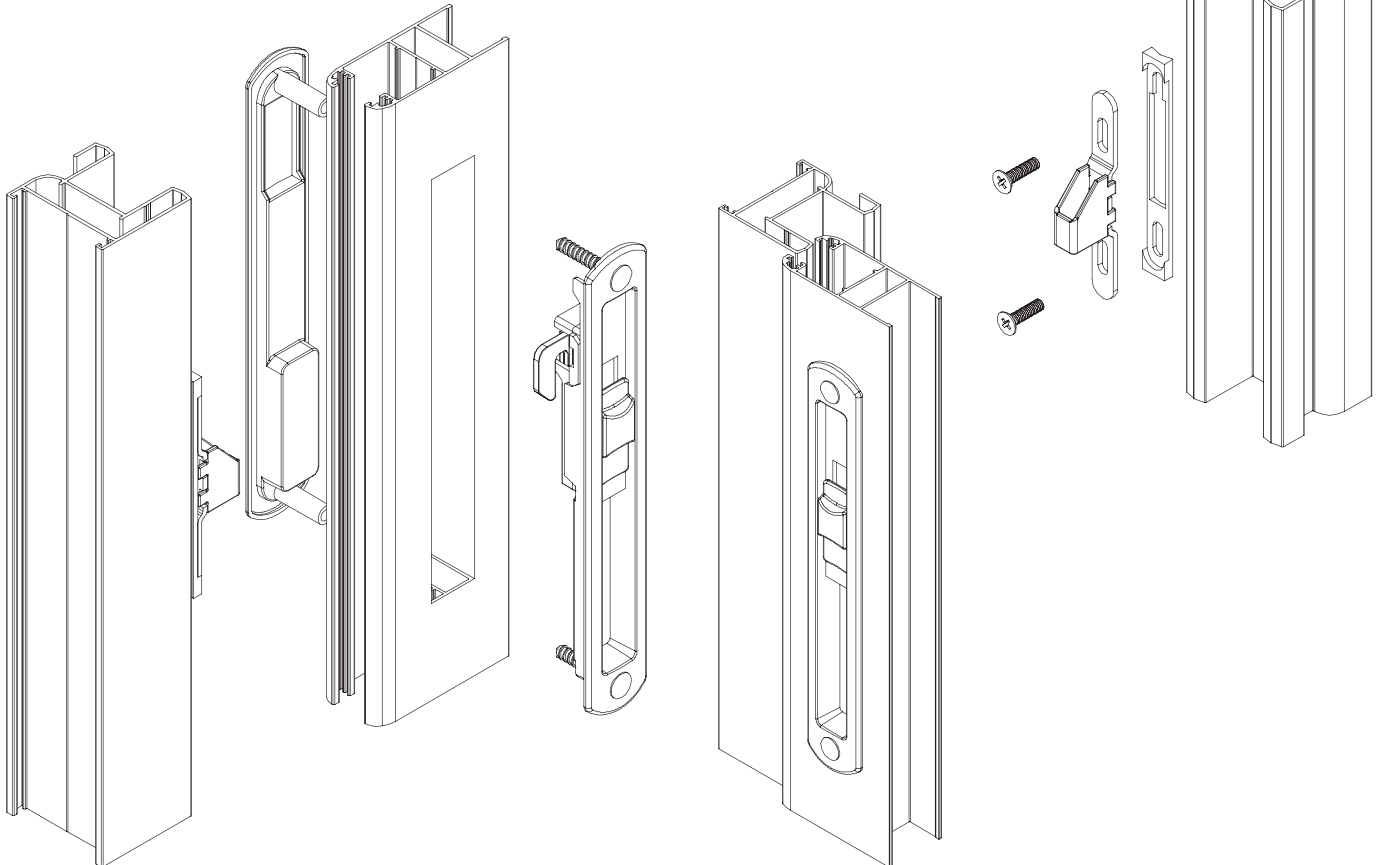


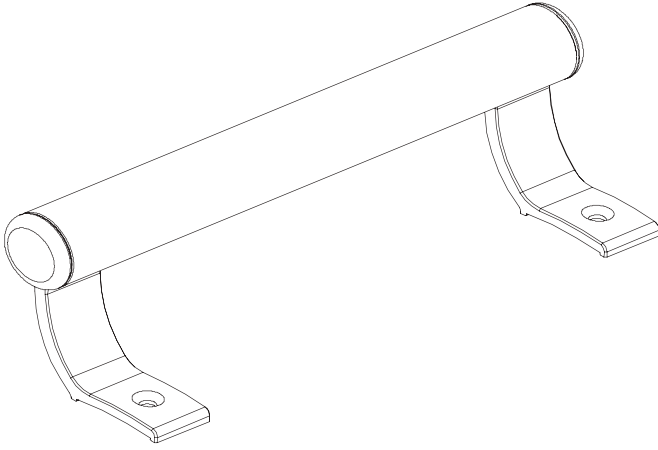


SK.903

Sürme Kilit

Sliding Lock





SK.350

Sürme Boru Kol

Sliding Handles

